

# MIXERS

# **KEL-BERG**®

## PARTS MANUAL



01869 343 511



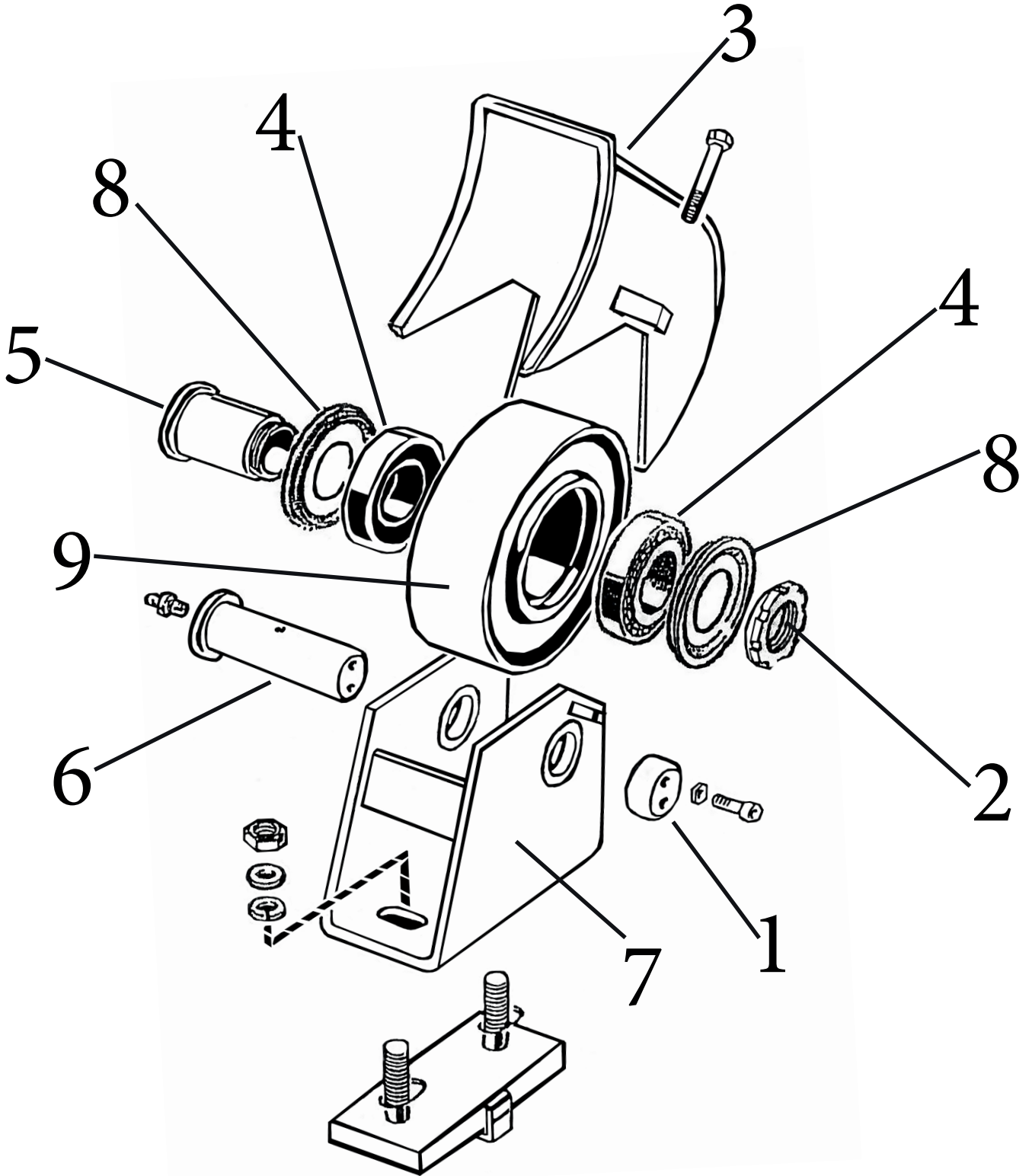
[www.kelberg.com](http://www.kelberg.com)



[info@kelberg.com](mailto:info@kelberg.com)

**KEL-BERG**®  
TRAILERS AND TRUCKS LIMITED

Ver.1 - 04/03



Number	Photo	Part Number	Description
<b>1</b>		<b>KB 050051</b>	Pressure cover for carrying roller.
<b>2</b>		<b>KB 050047</b>	Fixing nut for carrying roller.
<b>3</b>		<b>KB 057431</b>	Carrying roller cover
<b>4</b>		<b>KB 000149</b>	Carrying roller bearing.
<b>5</b>		<b>KB 050046</b>	Carrying roller brush.
<b>6</b>		<b>KB 050048</b>	Carrying roller shaft.

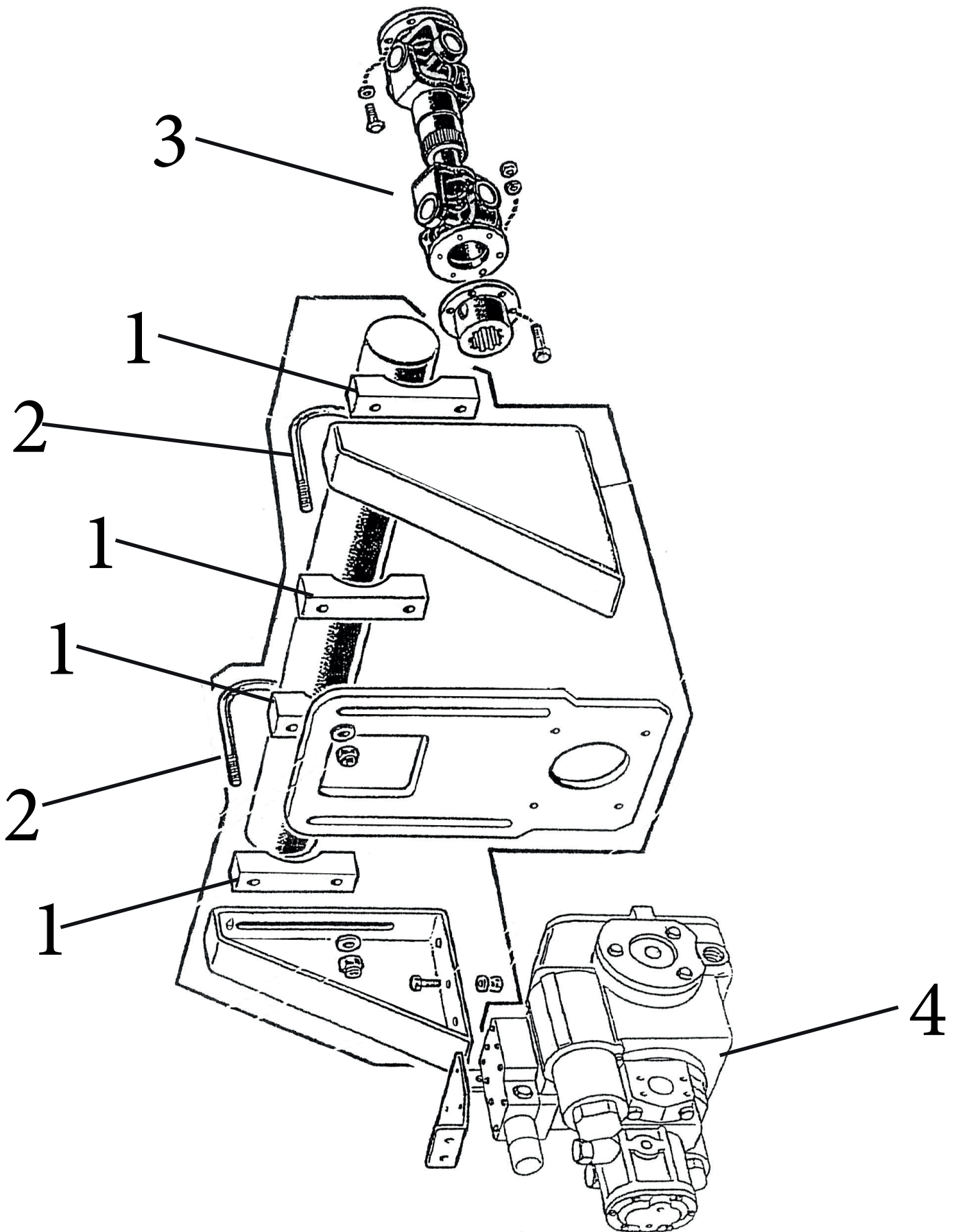


Number	Photo	Part Number	Description
7		<b>KB 050032</b>	Carrying roller support.
8		<b>KB 000073</b>	Carrying roller steel ring.
9		<b>KB 050045</b>	Carrying roller.







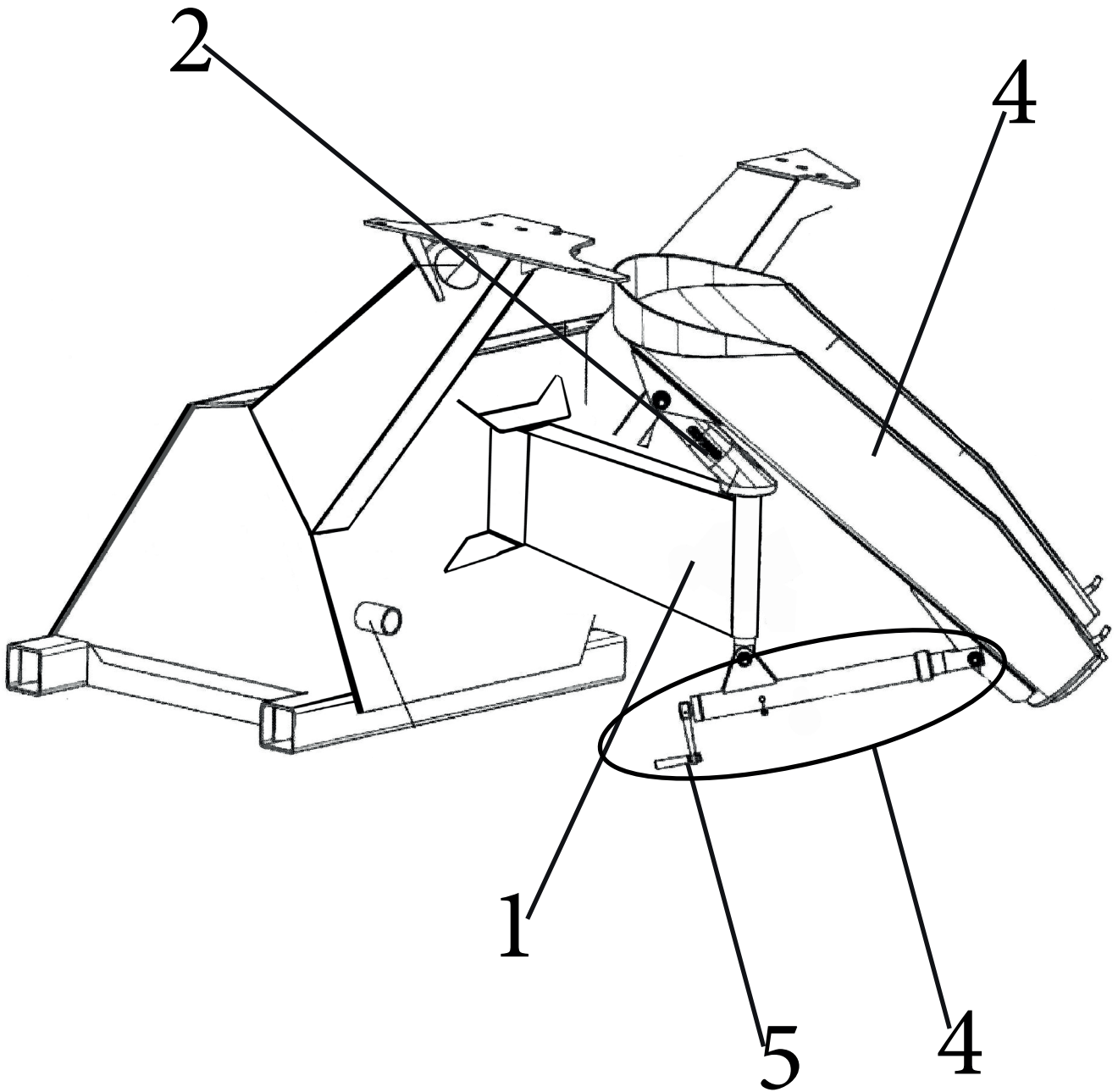


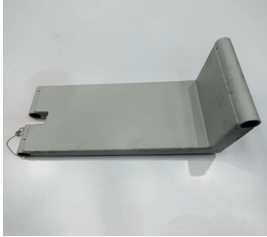




Number	Photo	Part Number	Description
<b>1</b>		<b>KB 050086</b>	Hydraulic pump anchor.
<b>2</b>		<b>KB 050085</b>	Hydraulic pump U-bolt.
<b>3</b>		<b>00000674</b>	Cardan shaft.
<b>4</b>		<b>PCL.9002.4</b>	Hydraulic pump.

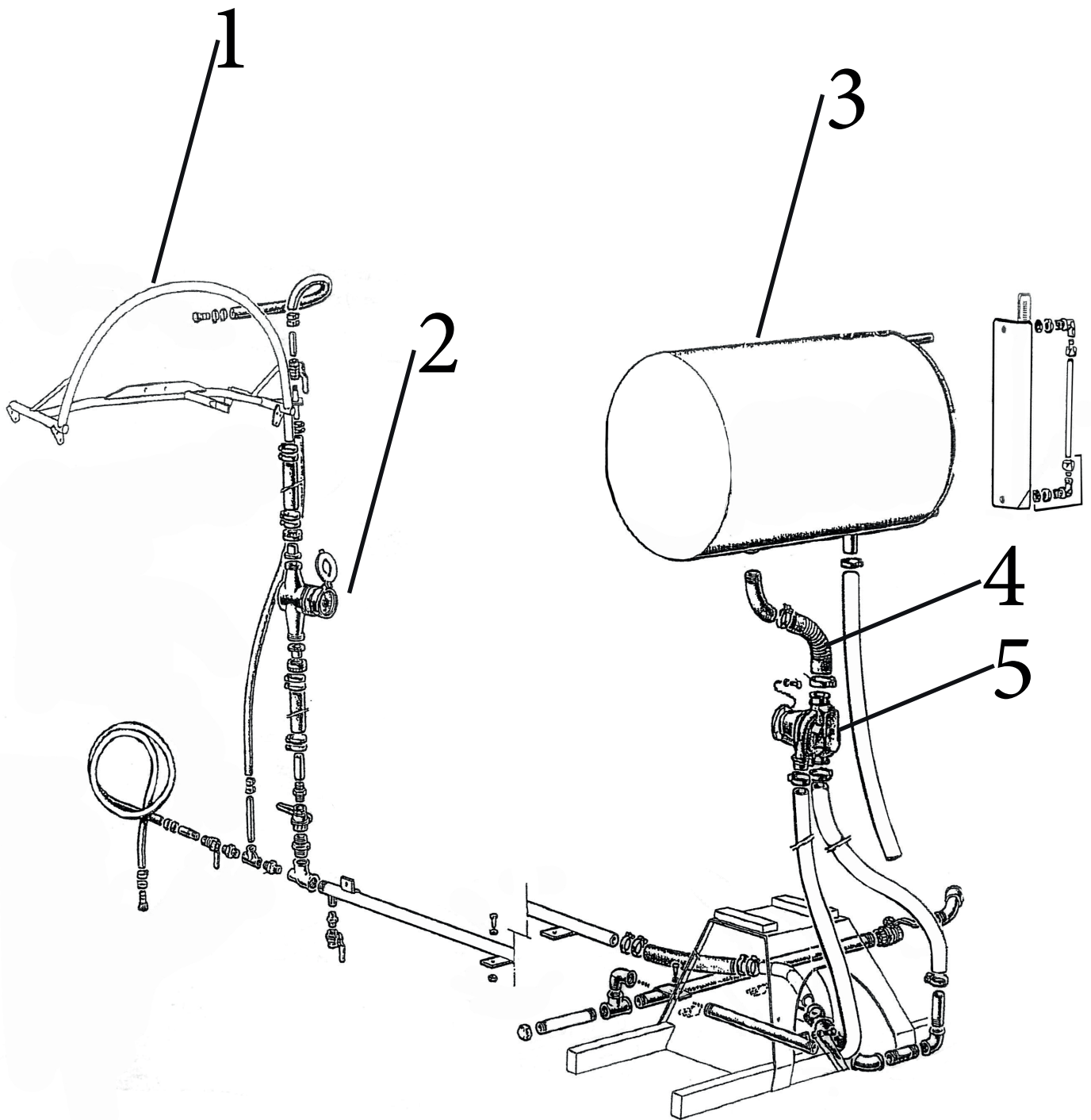




# SWIVEL CHUTE

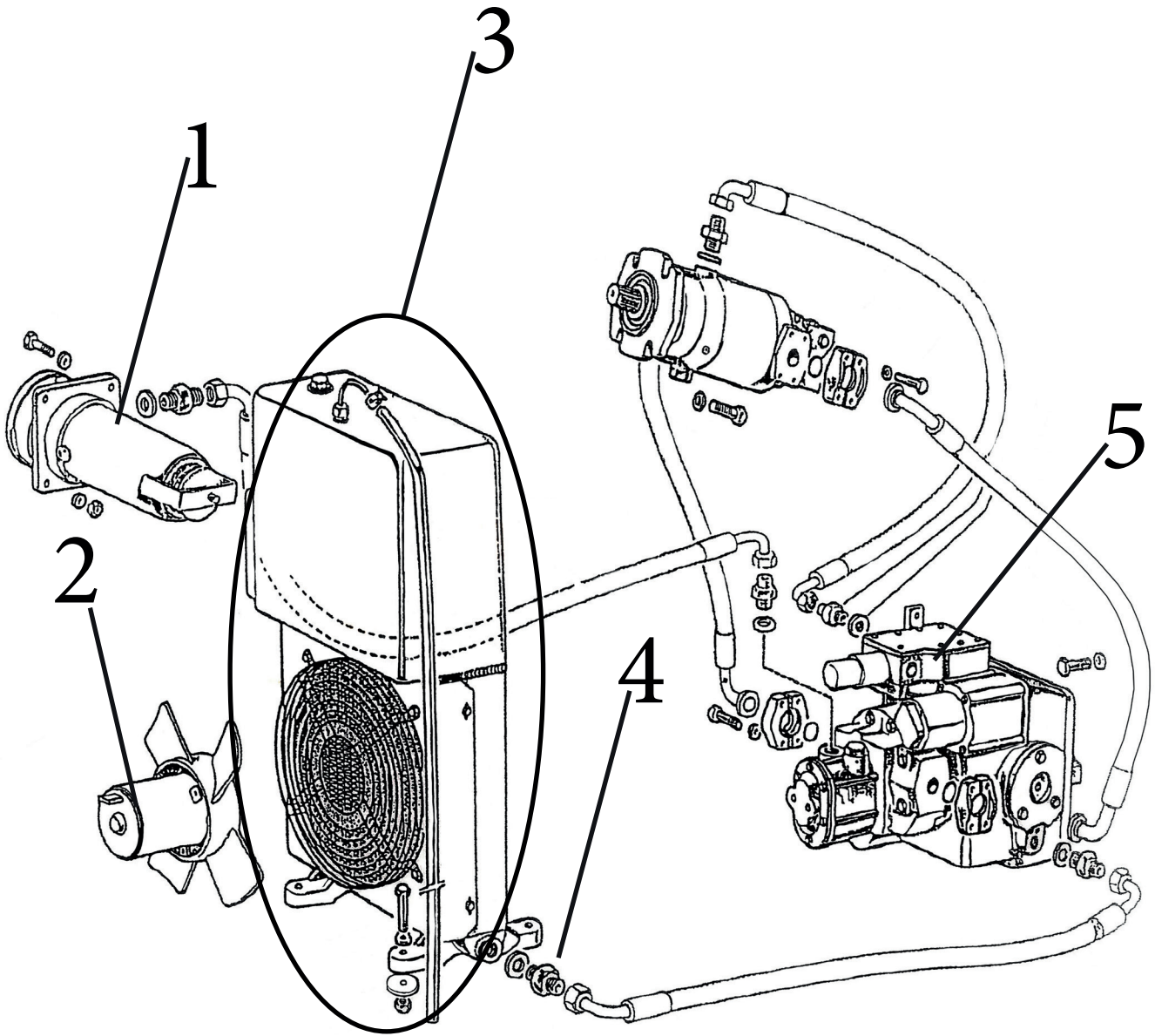


Number	Photo	Part Number	Description
<b>1</b>		<b>KB 060527</b>	
<b>2</b>		<b>KEL/2250-03-156</b>	Swivel chute lock.
<b>3</b>		<b>KB 050024</b>	Discharge chute.
<b>4</b>		<b>KB 001016</b>	Manual crank chute support.
<b>5</b>		<b>KB 001017</b>	Crank handle.





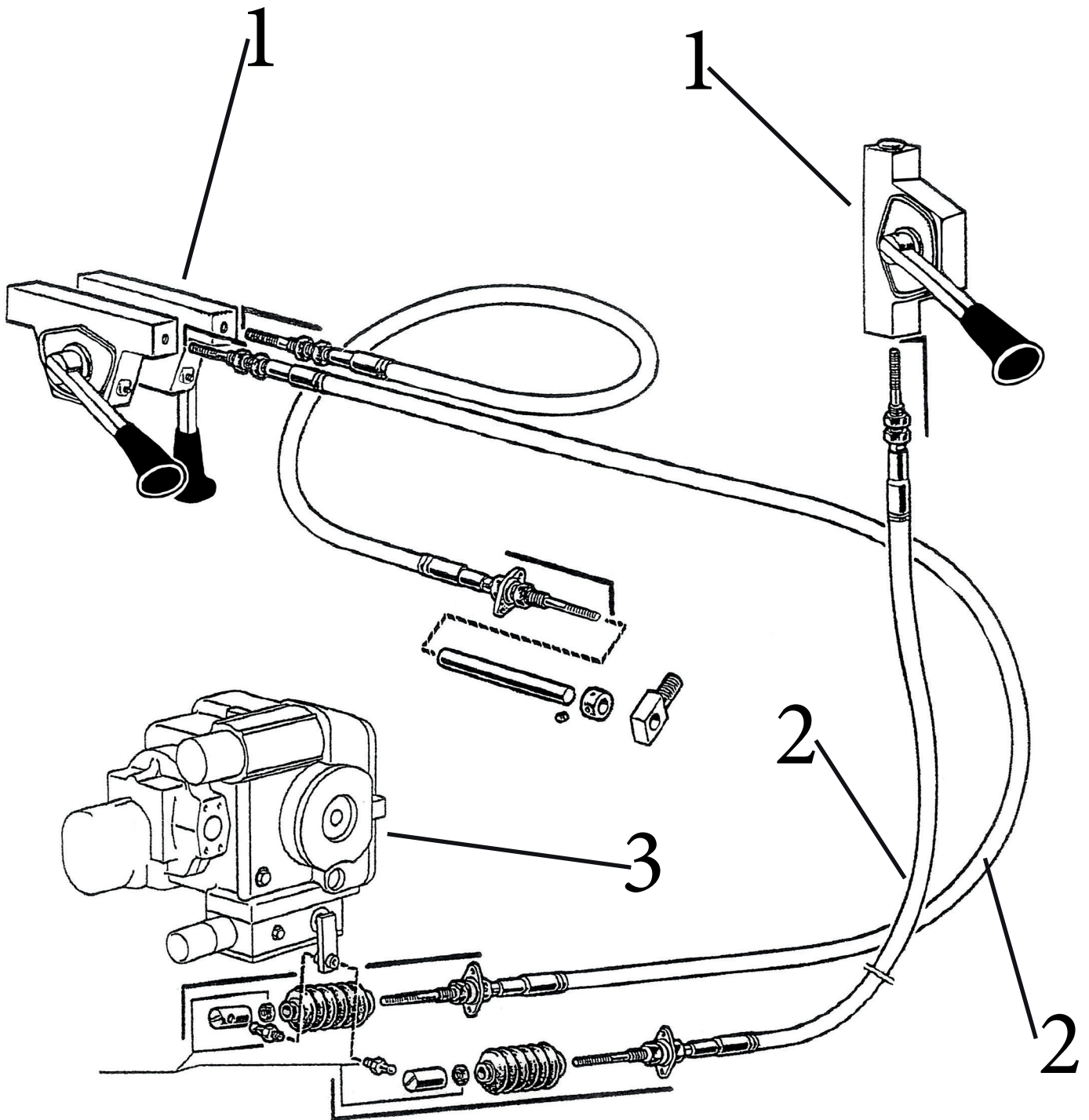
Number	Photo	Part Number	Description
<b>1</b>		<b>200000 688</b>	Feeding hopper upper support.
<b>2</b>		<b>KB 005131</b>	Maddalena water meter.
<b>3</b>		<b>KB 002042</b>	400 L water tank.
<b>4</b>		<b>KB 05074</b>	Elbow for water tank.
<b>5</b>		<b>B00.0003.0</b>	Water pump.





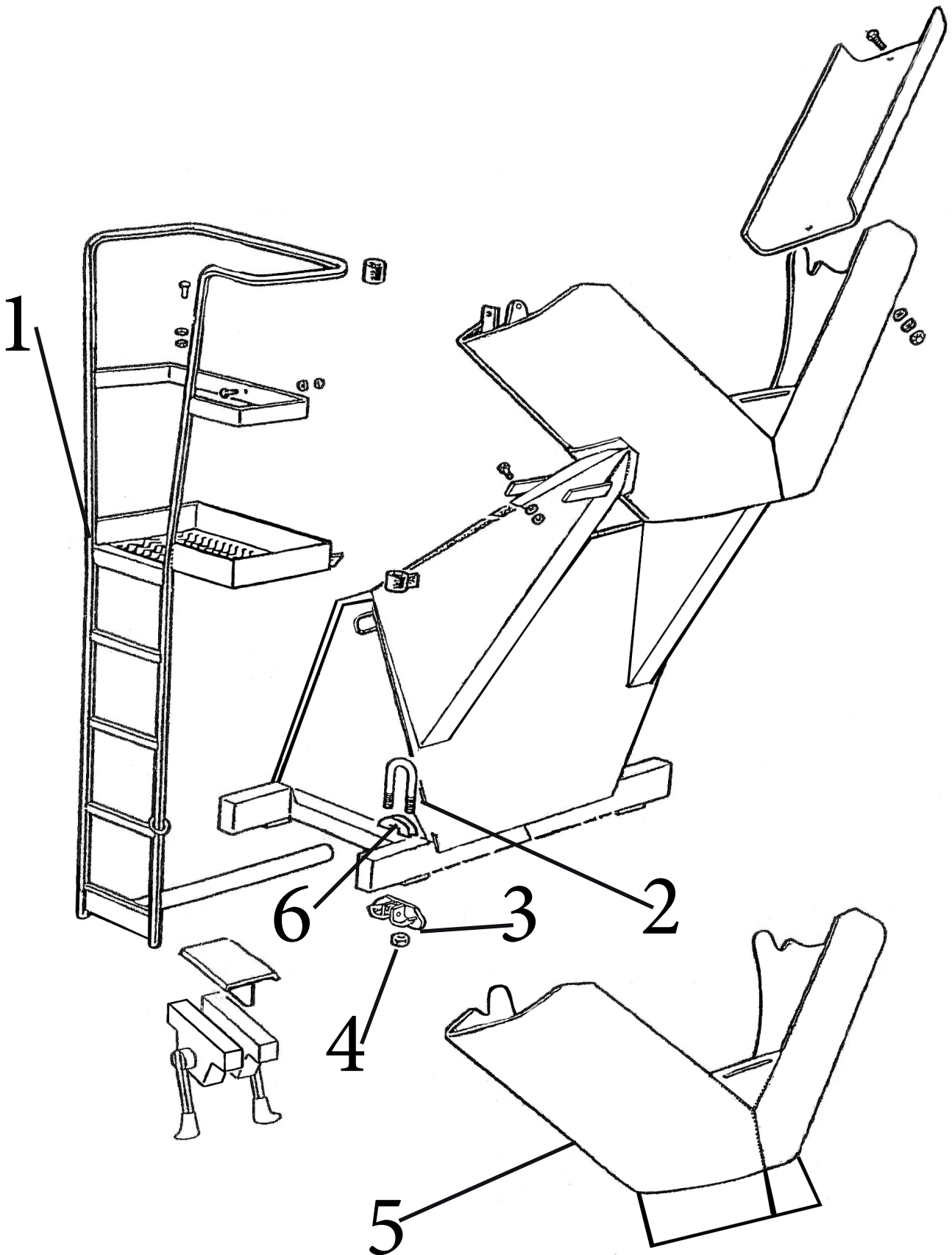
Number	Photo	Part Number	Description
<b>1</b>		<b>HFEP00074B01</b>	Oil cooler filter.
<b>2</b>		<b>ILLELE029506</b>	Oil cooler fan.
<b>3</b>		<b>ILLC01102FTF</b>	Oil cooler complete.
<b>4</b>		<b>1LLZTH5069.14K</b>	Oil cooler thermostat.
<b>5</b>		<b>PCL.90002.4</b>	Hydraulic pump.



# CABLE SYSTEM

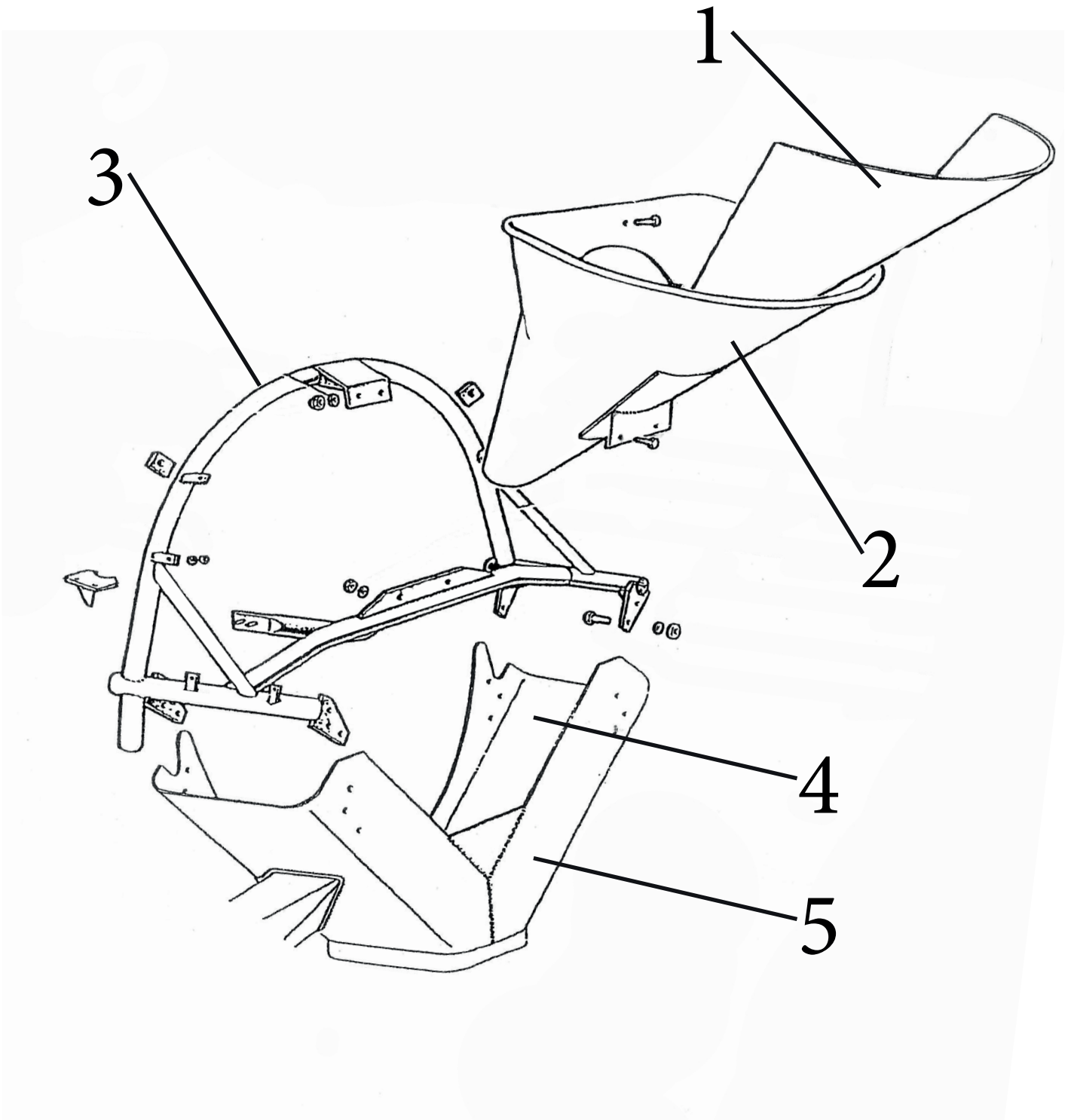


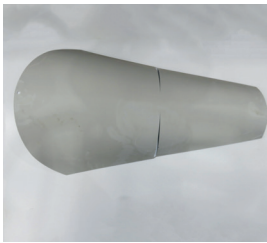



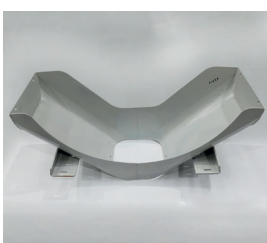
Number	Photo	Part Number	Description
<b>1</b>		<b>KB 012081</b>	Control lever with brake.
<b>2</b>		<b>KB 32891</b>	Control cable (7975 mm).
<b>3</b>		<b>PCL.9002.4</b>	Hydraulic pump.

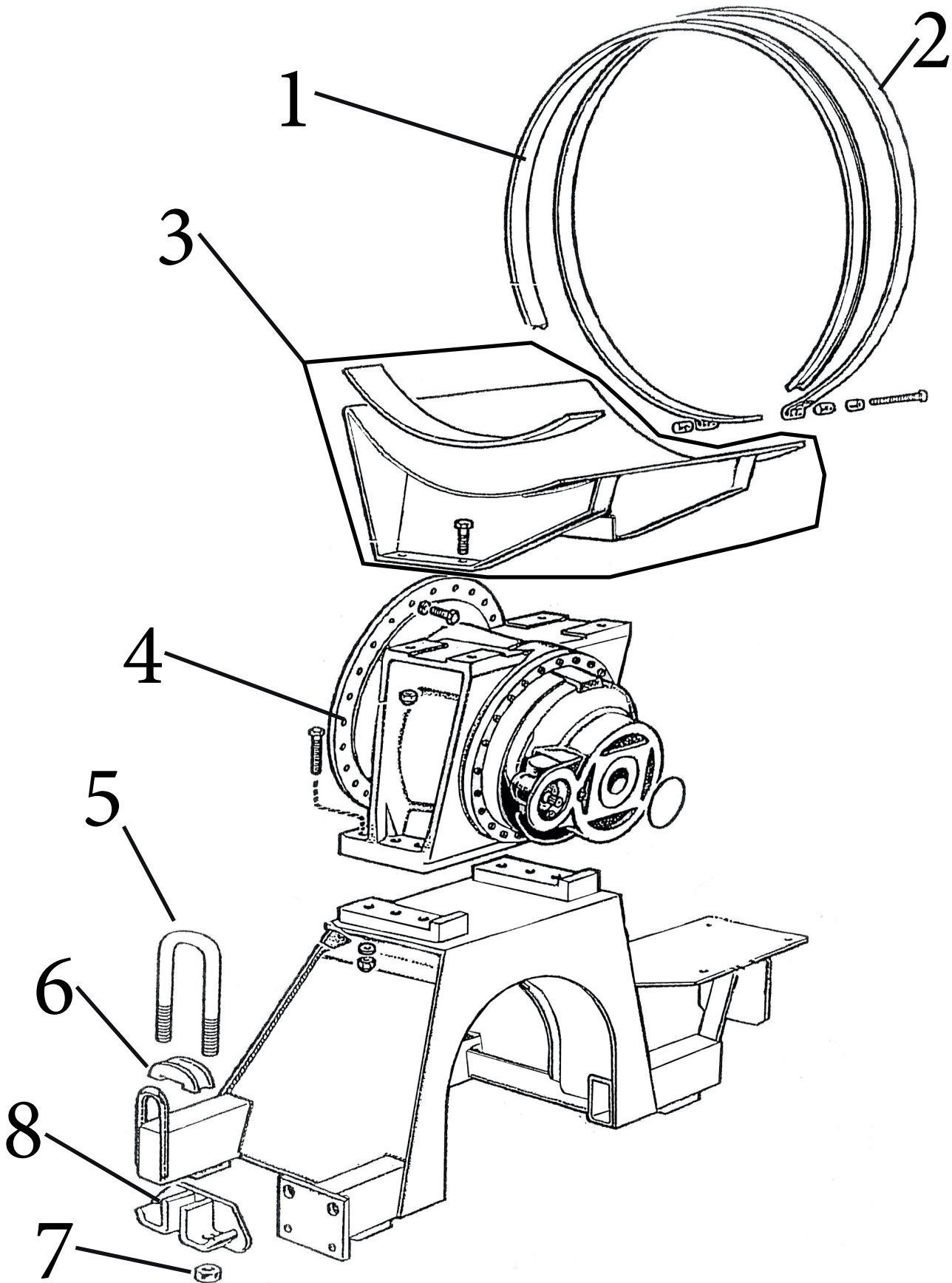


Number	Photo	Part Number	Description
<b>1</b>		<b>KB 059881</b>	Upper ladder and platform.
<b>2</b>		<b>KB 007017</b>	U Bolt (see 007020 for nut).
<b>3</b>		<b>KB 057431</b>	Chassis anchor casting.
<b>4</b>		<b>KB 007020</b>	Locking nut for U bolt (007017).
<b>5</b>		<b>KB 058309</b>	Discharge hopper
<b>6</b>		<b>KB 002093</b>	Pressure clamp for U Bolt (007017).





Number	Photo	Part Number	Description
<b>1</b>		<b>KB 001053</b>	Wear plate for discharge chute.
<b>2</b>		<b>KB 050024</b>	Discharge chute.
<b>3</b>		<b>200000 688</b>	Feeding hopper upper support.
<b>4</b>		<b>KB 001052</b>	Wear plate for discharge hopper.
<b>5</b>		<b>KB 058309</b>	Discharge hopper.



Number	Photo	Part Number	Description
<b>1</b>		<b>KB 002003</b>	Water pump clincher band.
<b>2</b>		<b>KB 10117</b>	Clamp for 300 / 400 L water tank.
<b>3</b>		<b>KB 10021</b>	Water tank holder.
<b>4</b>		<b>B65.1202.4</b>	Gearbox.
<b>5</b>		<b>KB 007017</b>	U- Bolt.
<b>6</b>		<b>KB 002093</b>	Pressure clamp for U-Bolt



Number	Photo	Part Number	Description
7		<b>KB 007020</b>	Lock nut.
8		<b>KB 051685</b>	Chassis anchor casting.



# **KEL-BERG**<sup>®</sup>

**TRAILERS AND TRUCKS LIMITED**

**Visit [www.kelberg.com/parts](http://www.kelberg.com/parts) or  
order your parts over the phone.**

**Register with us and receive a **15%**  
**discount on your first order.****

**Most of our parts are available  
with next day delivery if you order  
before mid day.**

**Both phone and card payment are  
available.**