

transcover
we've got it covered!



T-Series

INSTALLATION

tel: +44 (0)1622 792006

| sales@transcover.com

| www.transcover.com

INTRODUCTION

INTRODUCTION | EINFÜHRUNG



Thank you for purchasing a Transcover ground level covering system. It has been designed and manufactured by Transcover to provide years of trouble-free operation.

Please read and understand this Installation Manual before installing your system. Correct installation is a requirement for correct operation. Please pay particular attention to the stability of the installation and to the safety indication symbols in the document.



Nous vous remercions d'avoir acheté un système de couverture de niveau de Transcover. Il a été conçu et fabriqué par Transcover pour fournir des années de fonctionnement sans problème.

Veillez lire et comprendre ce manuel d'installation avant d'installer votre système. Une installation correcte est une exigence pour un fonctionnement correct. Veuillez noter une attention particulière à la stabilité de l'installation et aux symboles d'indication de sécurité dans le document.



Vielen Dank für den Kauf eines Transcover Bodenniveau Abdecksystems. Es wurde von Transcover entworfen und hergestellt, um jahrelang einen störungsfreien Betrieb zu bieten.

Bitte lesen und verstehen Sie diese Installationsanleitung, bevor Sie Ihr System installieren. Die korrekte Installation ist eine Voraussetzung für einen korrekten Betrieb. Bitte beachten Sie die Stabilität der Anlage und die Sicherheitshinweise im Dokument.

**CONTACT TRANSCOVER FOR FURTHER INSTRUCTIONS BEFORE
CARRYING OUT ANY WORK THAT IS NOT DESCRIBED IN THIS DOCUMENT.**

**CONTACTEZ-NOUS POUR OBTENIR D'AUTRES INSTRUCTIONS AVANT EFFECTUER
TOUT TRAVAIL QUI N'EST PAS DÉCRIT DANS CE DOCUMENT.**

**FÜR WEITERE ANWEISUNGEN VOR DIE AUSFÜHRUNG VON ARBEITEN, DIE IN DIESEM
DOKUMENT NICHT BESCHRIEBEN SIND.**

Warranty - www.transcover.com/warranty

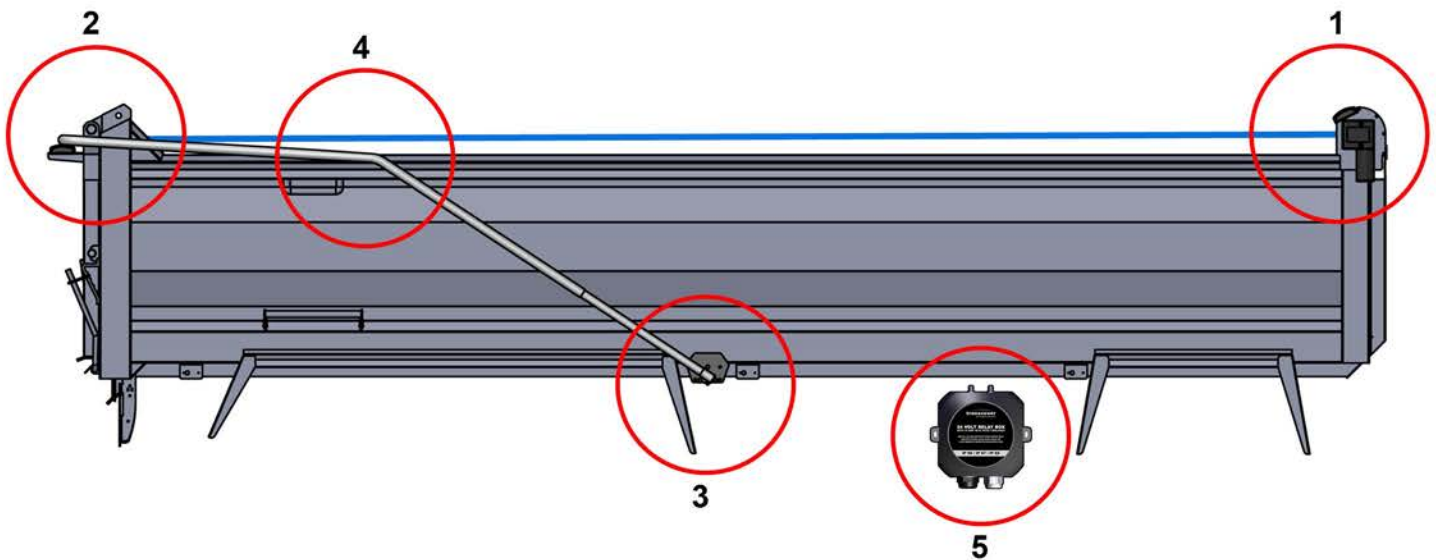
CONTENTS



Breakdown	1
Safety Symbols	2
Checklist - T3 TipperCover	3
1 - Rollerbar Assembly	
- Installation of Motor	6
- Headboard T3	7
- Headboard AgriCover	8
- Headboard T3T Front Mount	9
- Headboard T3T Front Mount (Cont)	10
- Installation of Motor	11
- Installation of Sheet (Rollerbar)	12
- Hydraulic Motor	13
2 - Determine Rear Landing Position	
- Rear rest install (including Grab)	14
3 - Calculating Pivot Point	
- Calculating Pivot Point	15
- Calculating Pivot Point	16
- Pivot Assembly – T3/Grab	17
- Pivot Assembly – T3T	18
- Side Mount Spring Tensioning	19
- Pivot Assembly – Side Mount	20
- Arm Configurations	21
4 - Installation of arms	
- Pivot assembly – AgriCover & CrankCover	22
- Installing Lower Arms – T3	23
- Installing Lower Arms – Side Mount	24
- Installing Upper Arms – T3	25
- Buffer Install (Grab)	26
- Installing Crossbar – T3	27
- Installing Lower Arms – T3T	28
- Installing Upper Arms – T3T	29
- Installing Crossbar – T3T	30
5 - Wiring Diagrams	
- Wiring	31
- Wiring Switch	32
- Tower Install	33
6 - Operation	
- Close	34
- Open	35
7 - Maintenance	
- Motor	36
- Tarpaulin	41
- Relay Box	43
- Daily / Monthly Checks	44

BREAKDOWN

TIPPING BODY FOR ILLUSTRATION PURPOSES ONLY



- 1** ROLLERBAR ASSEMBLY
- Installation of motor to existing headboard
 - Mounting of headboard options
 - T3
 - AgriCover & CrankCover
 - T3T front mount

- 5** WIRING DIAGRAMS
- Fitting of Relay Box
 - Wiring of switch
 - In-cab
 - Waterproof
 - Routing of motorwire

- 2** REAR ARM POSITIONING
- Installation of rear rest

- 6** OPERATION
- Cover
 - Uncover

- 3** CALCULATING PIVOT POINT
- Fitting of pivot assembly
 - T3
 - AgriCover & CrankCover
 - T3T

- 7** MAINTENANCE
- Changing the tarp
 - Changing the motor

- 4** INSTALLATION OF ARMS
- Steel tubular
 - Aluminium bullet

SAFETY SYMBOLS



- Wear Head Protection
- Port du casque de sécurité obligatoire
- Kopfschutz tragen



- Do NOT operate in high winds
- Ne pas faire fonctionner en cas de vents violents
- Nicht bei starkem Wind bedienen



- Tarp Out
- Replier la bâche
- Plane einfahren



- Wear High Visibility Clothing
- Porter des vêtements à haute visibilité
- Warnkleidung tragen



- Do NOT climb
- Ne pas monter
- Nicht klettern



- Tarp In
- Replier la bâche
- Plane einfahren



- Wear safety goggles
- Porter des lunettes de sécurité
- Schutzbrille tragen



- Caution
- Attention
- Achtung



- Weld
- Soudure
- Schweißen



- Wear Protective Gloves
- Porter des gants de protection
- Schutzhandschuhe tragen



- Refer to operators manual
- Se reporter au manuel d'utilisation
- Siehe Bedienungshandbuch



- Cut
- Couper
- Schneiden



- Crush hazard, keep hands clear of moving parts
- Danger d'écrasement. Rester à l'écart des pièces en mouvement
- Quetschgefahr. Halten Sie sich von beweglichen Teilen fern



- Inspect equipment before use
- Inspecter la corde et la bâche avant utilisation
- Überprüfen Sie vor dem Gebrauch Seil und Plane



- Drill
- Percer
- Bohren



- Keep hands free of moving parts
- Risque de pincement. Rester à l'écart des pièces en mouvement
- Einklemmgefahr. Halten Sie sich von beweglichen Teilen fern



- Ensure ground is level before use
- Veiller à ce que le terrain soit plat avant utilisation
- Stellen Sie vor Gebrauch sicher, dass der Boden eben ist



- Measure
- Mesure
- Messen



- Trip hazard
- Risque de trébuchement
- Stolpergefahr



- Up
- Haut
- Aufwärts



- Check Level
- Vérifier le niveau
- Kontrollstufe



- Falling object hazard
- Se méfier des chutes d'objets
- Achten Sie auf fallende Gegenstände



- Down
- Vers le bas
- Unten



- Check square
- Vérifier la place
- Check für Platz



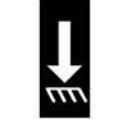
- Beware of overhead power cables
- Se méfier des câbles aériens
- Achten Sie auf Oberleitungen



- Up
- Haut
- Aufwärts



- Electrical hazard
- Risque électrique
- Stromschlaggefahr



- Down
- Vers le bas
- Unten



- Use lifting equipment
- Utiliser un équipement de levage
- Verwenden Sie Hebezeuge



- On
-
-



- Caution, can cause injury
- Attention, peut causer des dommages
- Vorsicht, kann Schäden verursachen

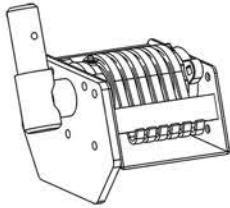


- Off
-
-

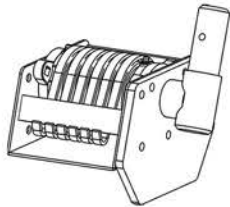
CHECKLIST

SPRINGS

T3

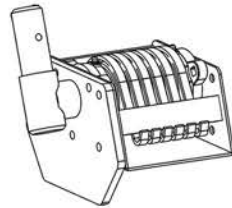


Spring Assy RH x 1
CODE: T-RSPMA-01

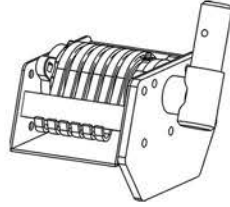


Spring Assy LH x 1
CODE: T-LSPMA-01

T3 GRAB

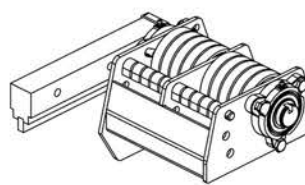


Spring Assy RH x 1
CODE: T-RSPMA-02

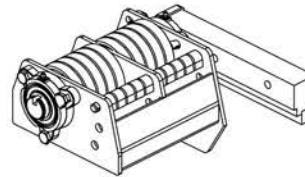


Spring Assy LH x 1
CODE: T-LSPMA-02

T3T

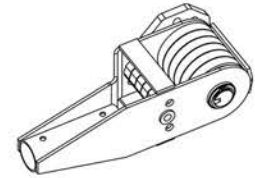


Spring Assy RH x 1
CODE: T-RSPMA-04

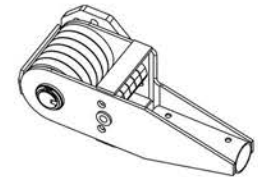


Spring Assy LH x 1
CODE: T-LSPMA-04

AGRI / SDM



Spring Assy RH x 1
CODE: T-RSMAA-01



Spring Assy LH x 1
CODE: T-LSMAA-01

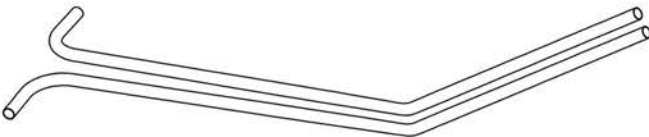
ARMS



Crossbar
CODE: U-CB-01

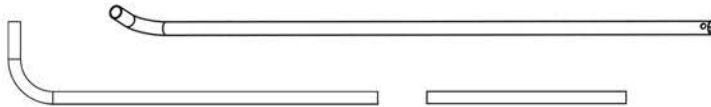


Lower Arm
CODE: T-LARM-01



Upper Arm - LH
CODE: T-LUARM-01

Upper Arm - RH
CODE: T-RUARM-01



Upper Arm
CODE: T-UARM-01

Upper Arm - VC
CODE: VC-LARM-01



Arm Angle
CODE: T-AARM-01



Crossbar - T3T
CODE: T-ACB-01



Lower Arm - LH - T3T
CODE: T-ALARM-02



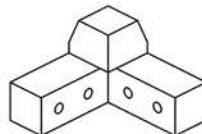
Lower Arm - RH - T3T
CODE: T-ALARM-03



Upper Arm - T3T
CODE: T-AUARM-01



Extruded Rollerbar
CODE: U-EXRB-01

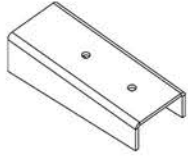


90° Cast
CODE: T-AACC-01

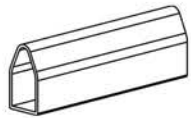
T3	T3 GRAB	T3T	AGRI SDM
1	1		1
2	2		2
1			
1			
	2		
			2
			2
		1	
		1	
		1	
		2	
1	1	1	1
		2	

CHECKLIST

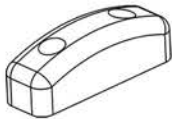
RESTS / BUFFERS



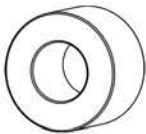
Rear Rest
CODE: T-SRR-01



Buffer - Ali Arms
CODE: U-BUFF-08



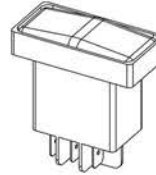
Rubber Buffer
CODE: U-WIRE-01



Donut Buffer
CODE: U-BUFF-02

T3	T3 Grab	T3T	AGRI SDM
2		2	2
		2	
2	2	2	2
	2		2

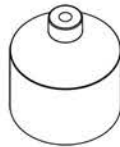
POWER



Rocker Switch
CODE: T-RSW-01



Susi Lead
CODE: U-SUSI-01



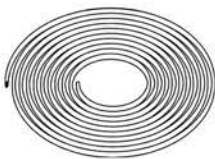
Susi Boot
CODE: U-SUSIB-01



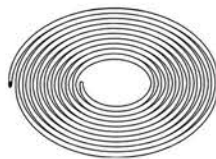
Susi Connector
CODE: U-SUSIC-01

T3	T3 Grab	T3T	AGRI SDM
1			1
		1	
		2	
		2	

UNIVERSAL PARTS



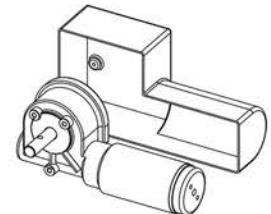
40m ELD Wire
CODE: U-WIRE-01



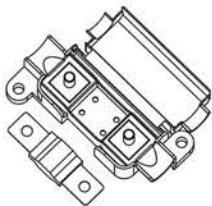
20m ELD Wire
CODE: U-WIRE-01



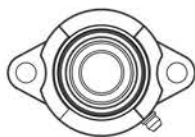
Relay Box
CODE: U-RB-01



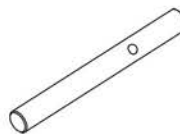
24v Electric Motor
CODE: U-MOTOR-01



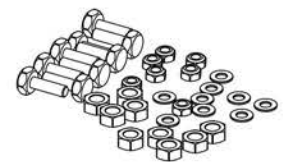
80A Fuse & Holder
CODE: U-80F-01



3/4" Bearing
CODE: U-34B-01



3/4" Shaft
CODE: U-34SH-01



Bolt Kit
CODE: T-BOLT-01



Sheet
CODE: REFER TO WORKS ORDER

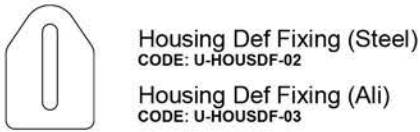
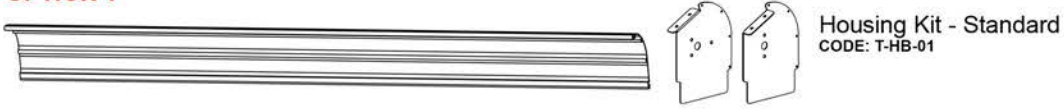


Manual, Serial & Sticker

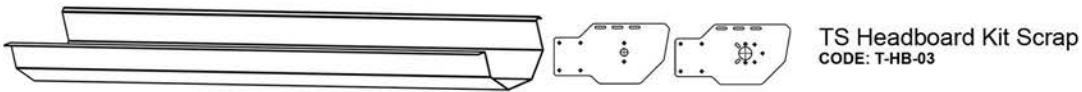
CHECKLIST

HEADBOARD OPTIONS

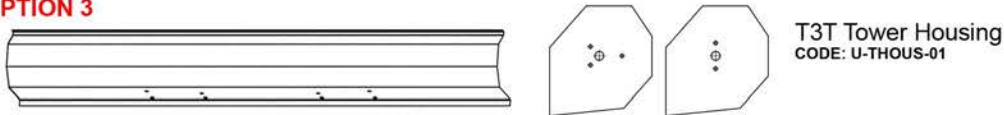
OPTION 1



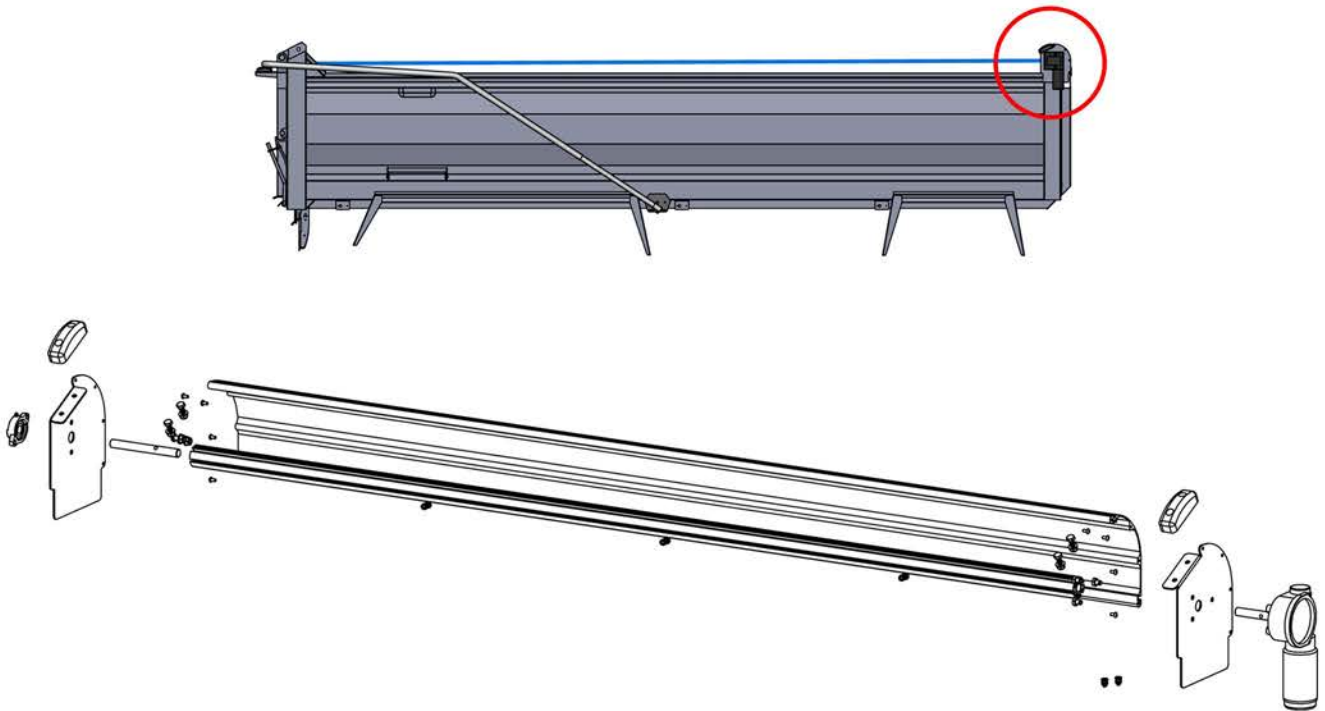
OPTION 2



OPTION 3



T3	T3 GRAB	T3T	AGRI SDM
1	1	1	1
3	3	3	3
3	3	3	3
		1	
		1	



ROLLERBAR ASSEMBLY

1

ITEMS REQUIRED (DEPENDENT ON KIT)

T3 / T3 GRAB

U-34B-01	x 1
U-34SH-01	x 1
U-BUFF-01	x 2
U-MOTOR-01	x 1
U-EXRB-01	x 1
U-HOUSD-01	x 1

STEEL HEADBOARD

T-HBPK-01	x 1
U-HOUSD-02	x 3

ALI HEADBOARD

T-HBPK-02	x 1
U-HOUSD-03	x 3

T3T TRAILER

U-34B-01	x 1
U-34SH-01	x 1
U-BUFF-01	x 2
U-MOTOR-01	x 1
U-EXRB-01	x 1
U-HOUSD-01	x 1

STEEL HEADBOARD

T-HBPK-01	x 1
U-HOUSD-02	x 3

ALI HEADBOARD

T-HBPK-02	x 1
U-HOUSD-03	x 3

SCRAP HEADBOARD

T-HB-03	x 1
---------	-----

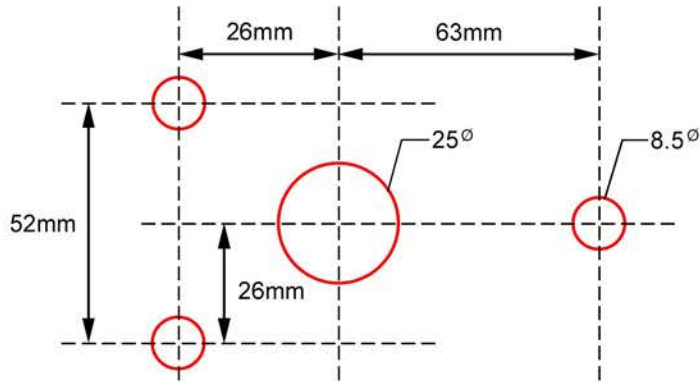
AGRICOVER

U-34B-01	x 1
U-34SH-01	x 1
U-BUFF-01	x 2
U-MOTOR-01	x 1
U-EXRB-01	x 1

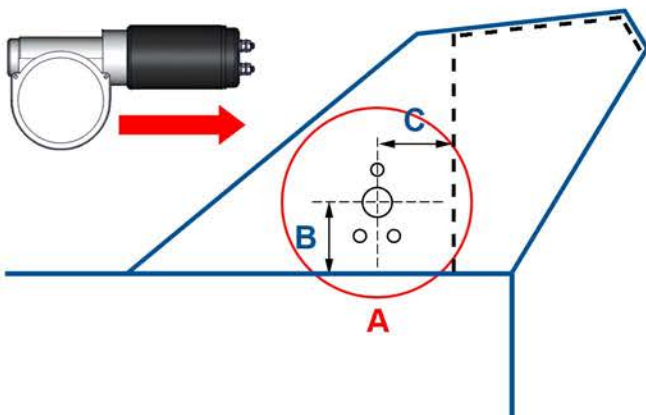
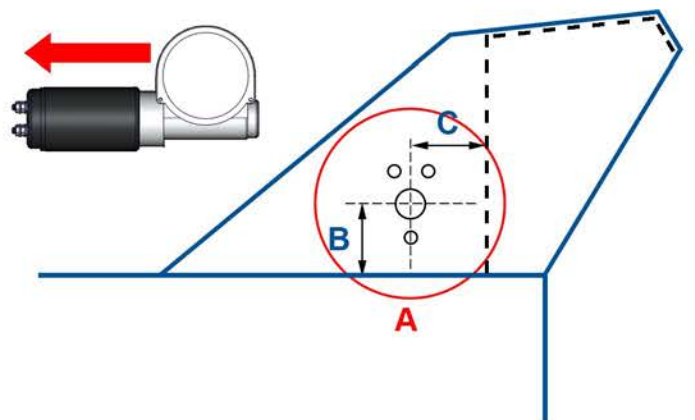
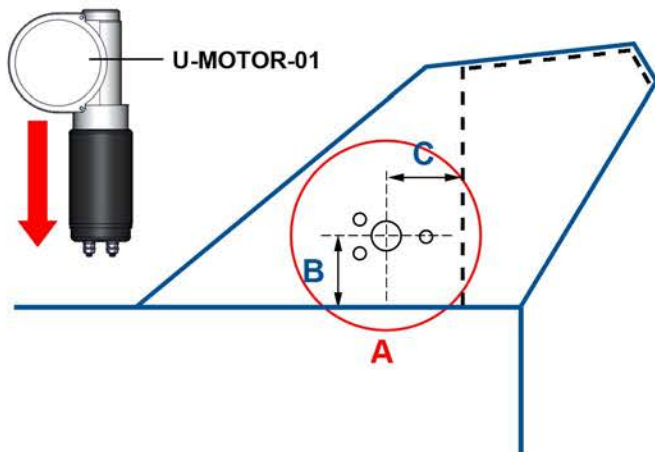
AGRI HEADBOARD

U-HOUSD-01	x 1
U-HOUSE-01	x 1
U-HOUSE-02	x 1

INSTALLATION OF MOTOR - EXISTING HEADBOARD



RECOMMENDED

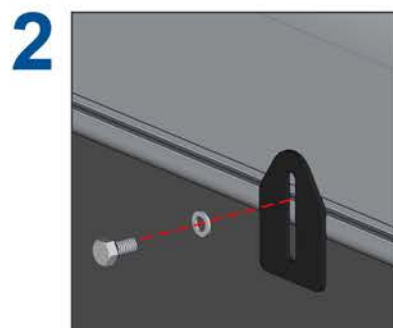
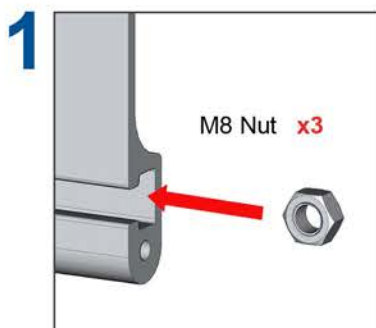
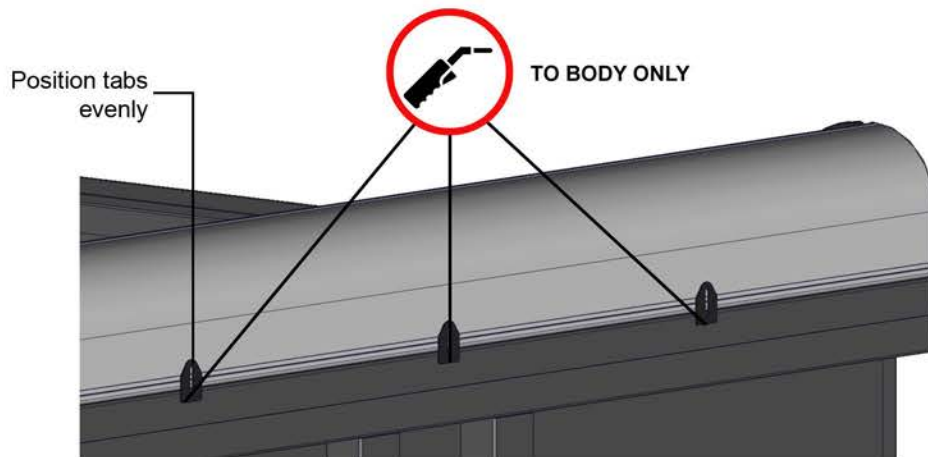
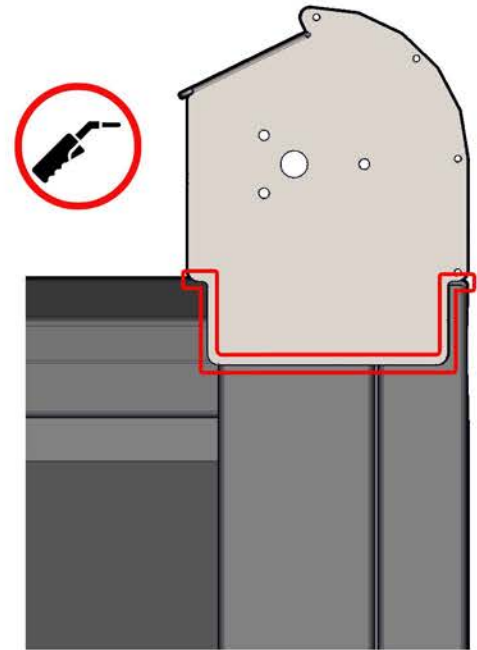
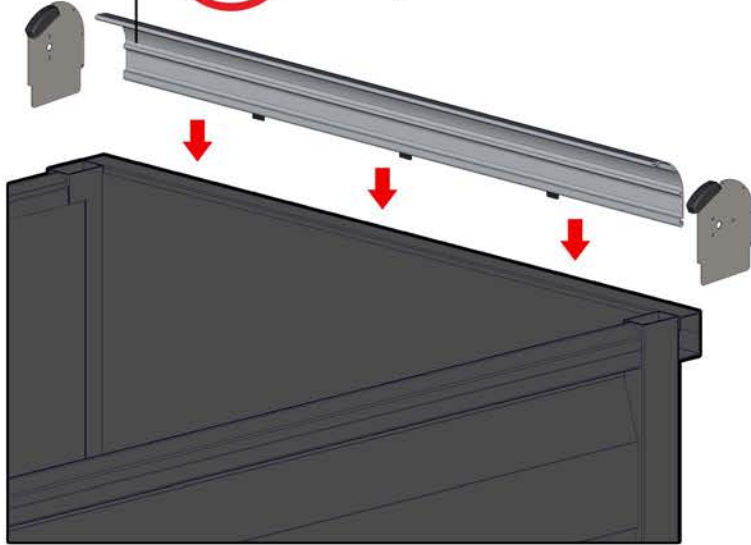


SYSTEM	TARP CIRCUMFERENCE	
	A	C
GrabCover - 6M	90mm	90mm
TipperCover - 7M	100mm	100mm
AgriCover 9M	110mm	110mm
T3T - 12M	130mm	130mm

HEADBOARD - T3



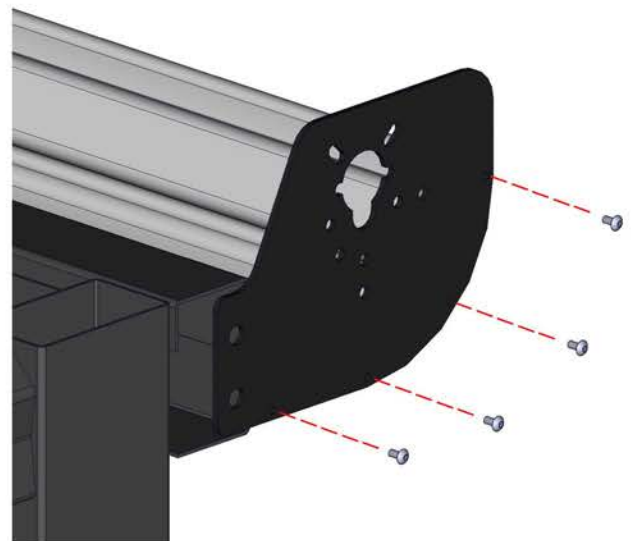
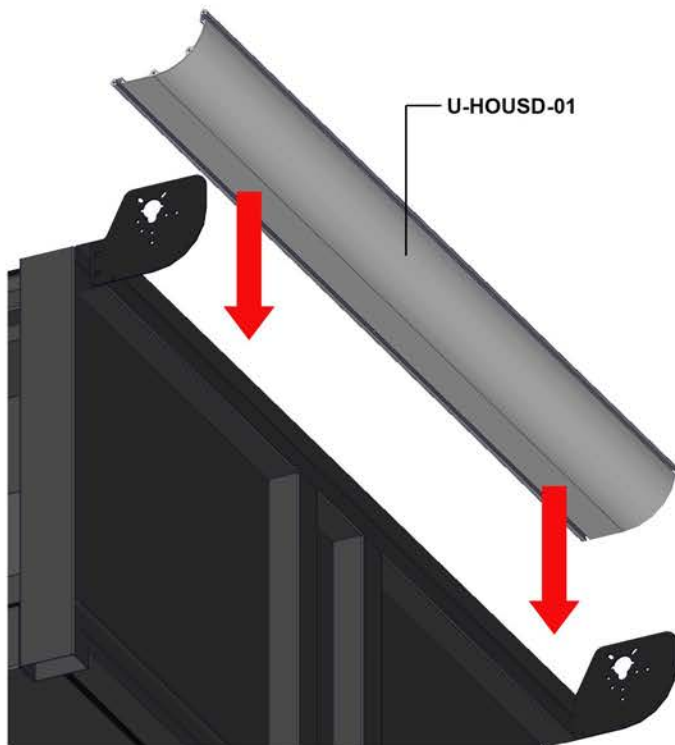
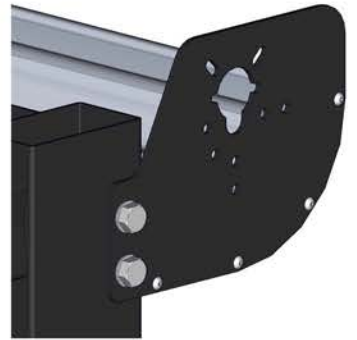
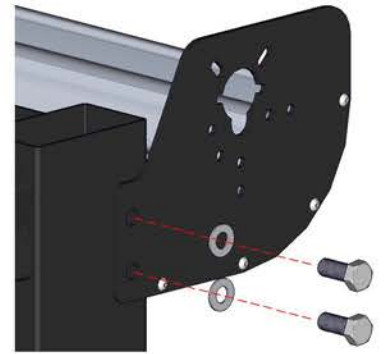
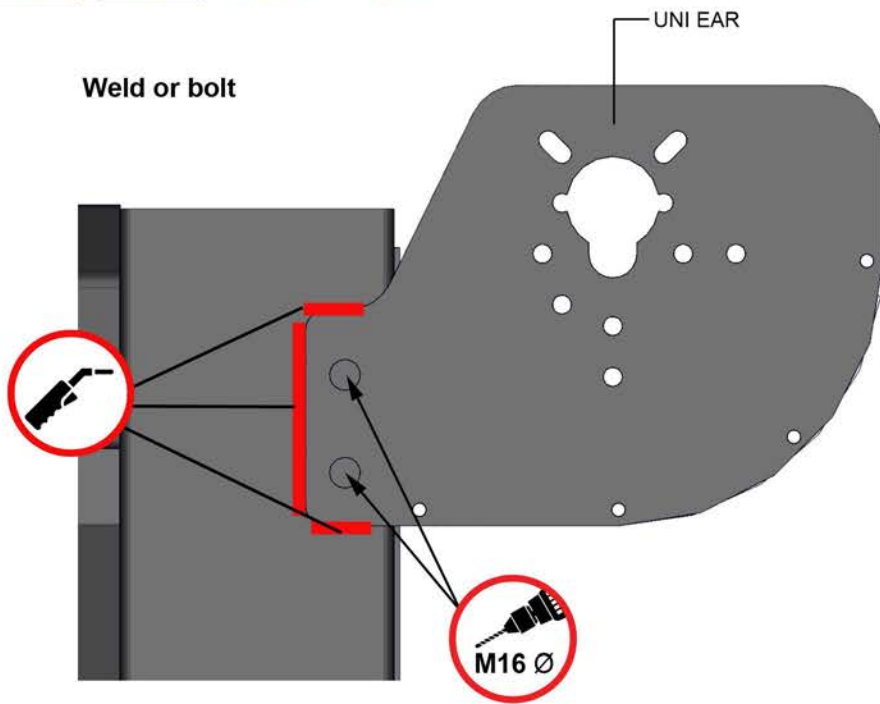
Cut to desired size
Couper à la taille désirée
Auf die gewünschte Größe zuschneiden



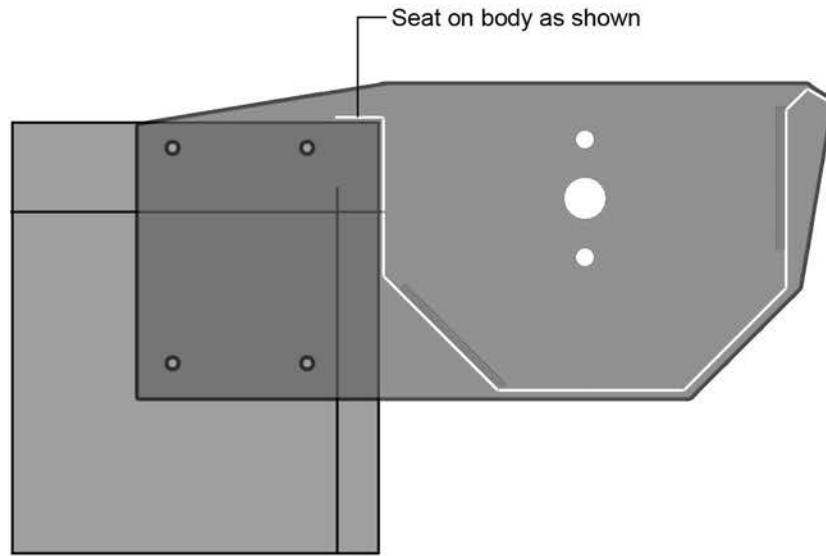
HEADBOARD - AGRICOVER



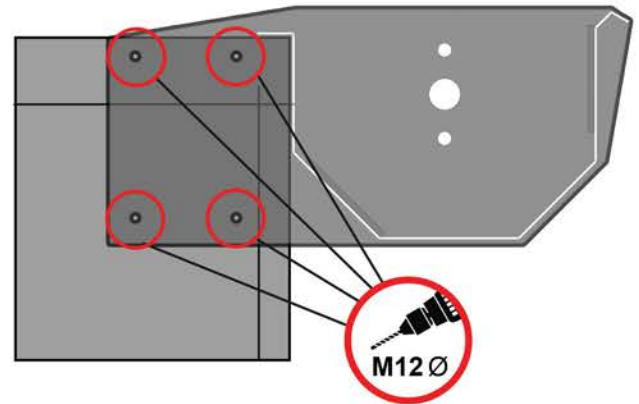
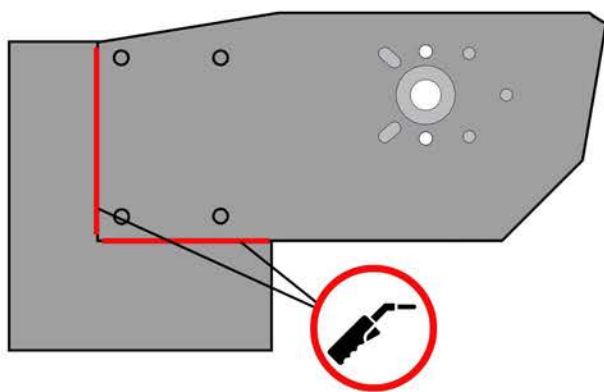
Weld or bolt



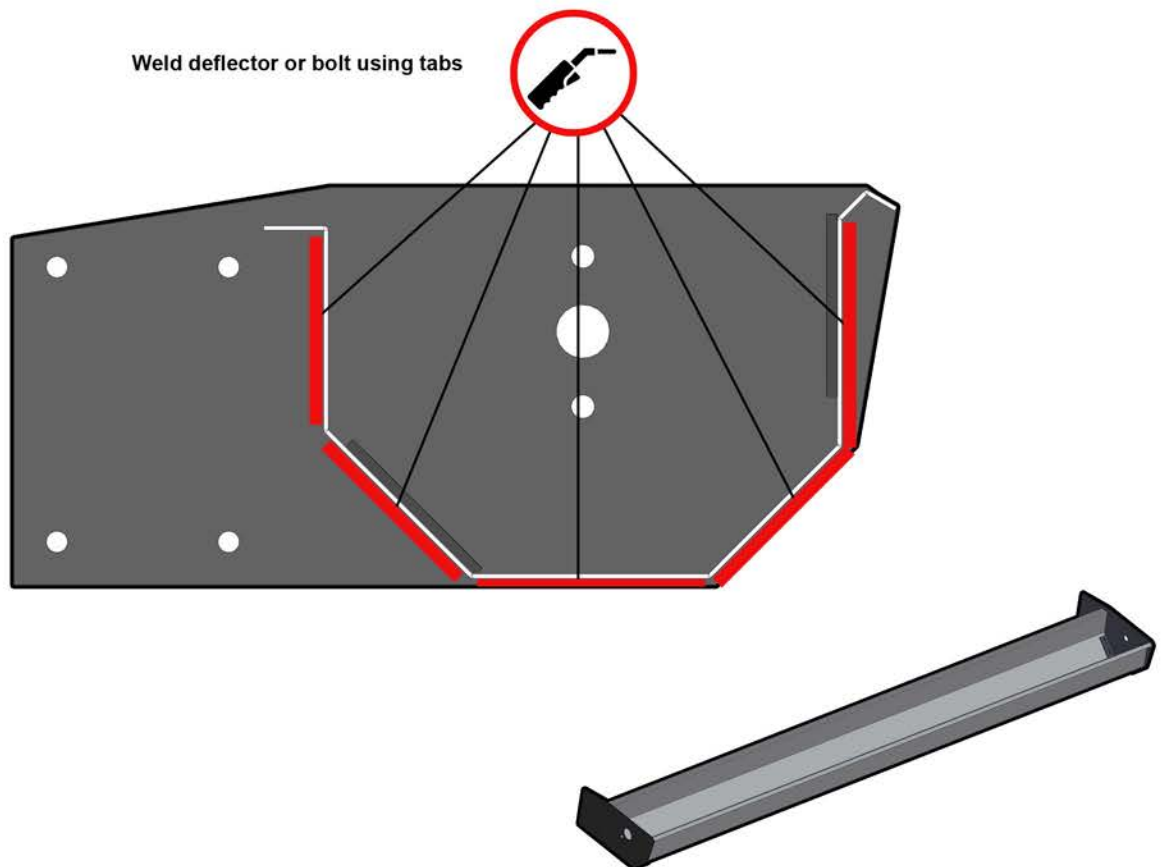
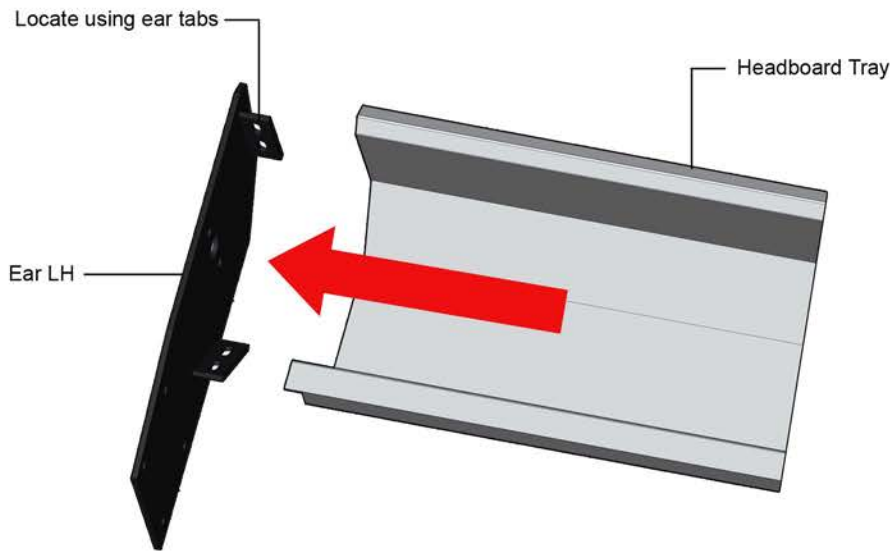
HEADBOARD - T3T FRONT MOUNT



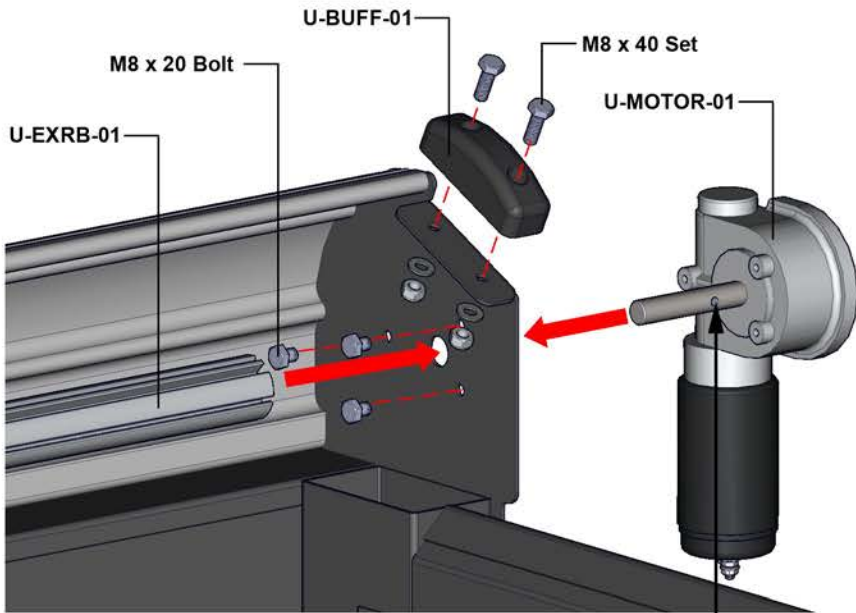
WELD OR BOLT



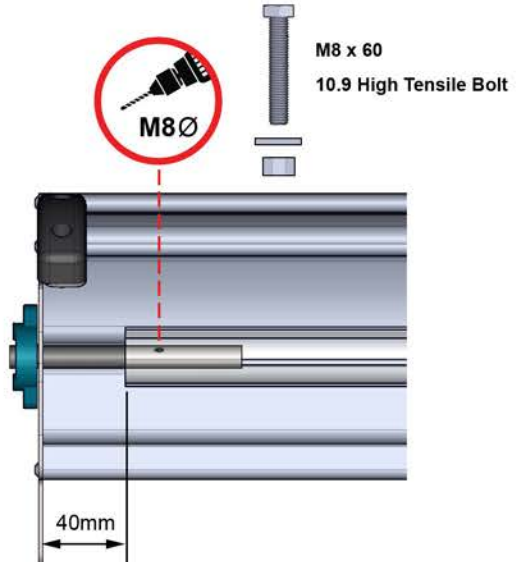
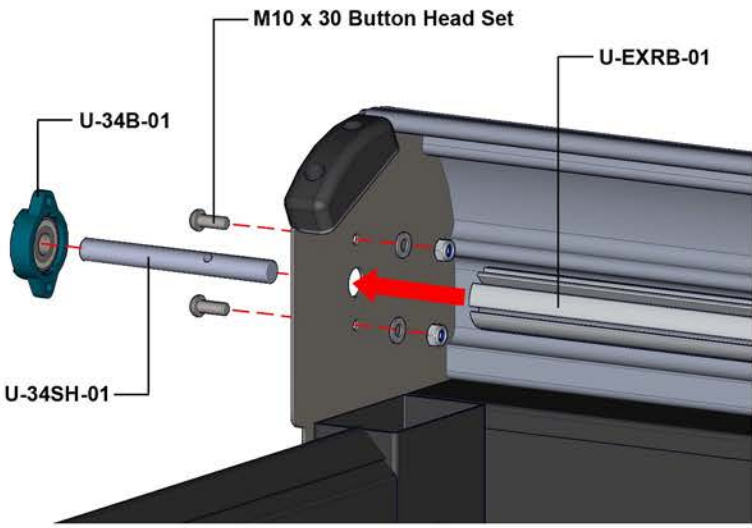
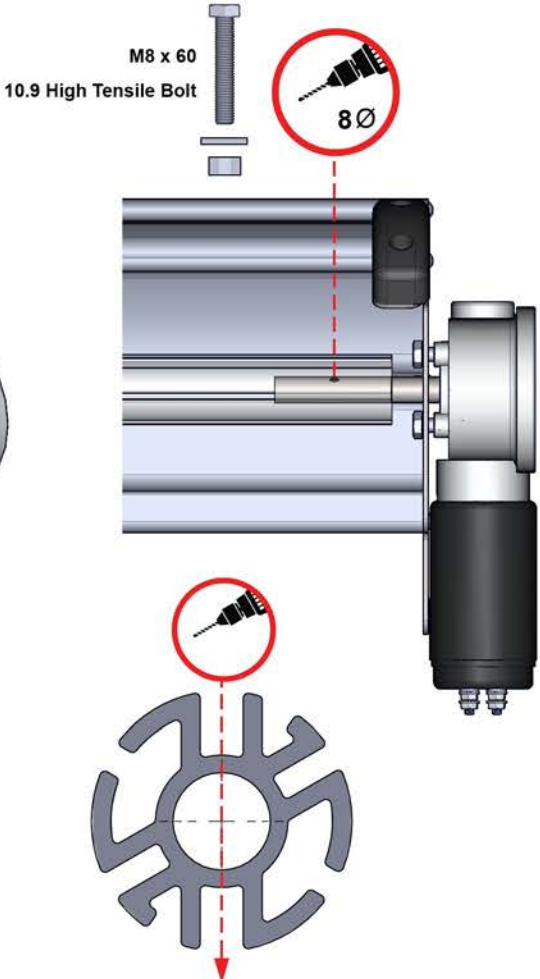
HEADBOARD - T3T FRONT MOUNT



INSTALLATION OF MOTOR



IMPORTANT: 10.9 tensile bolt must be used through motor shaft

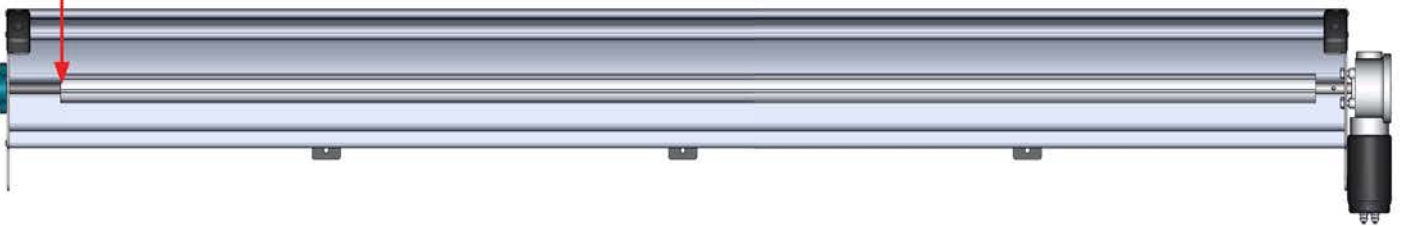


Note: Gap required to feed sheet on later in installation

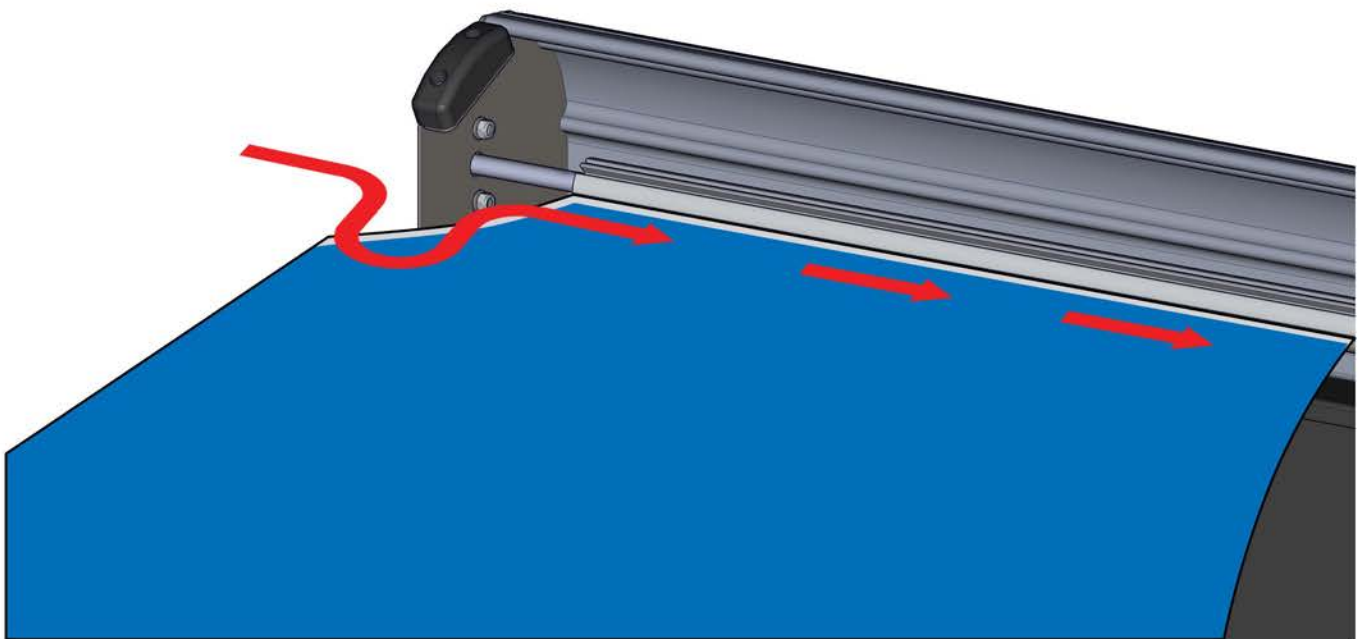
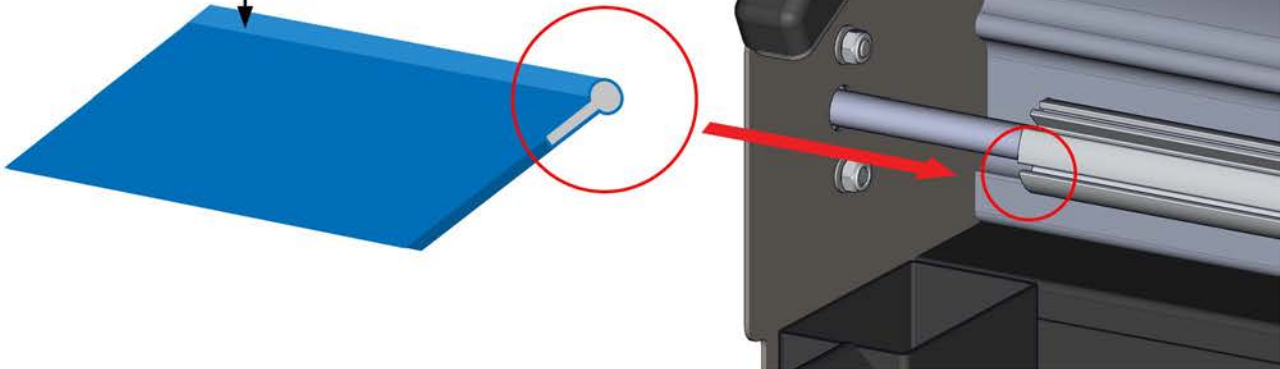
INSTALLATION OF SHEET (ROLLERBAR)



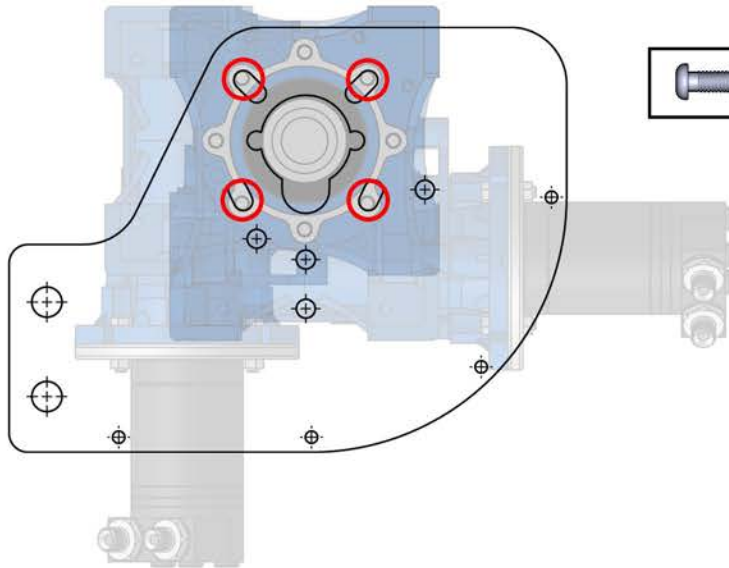
INSERT SHEET THIS END




TARP (KADOR END)

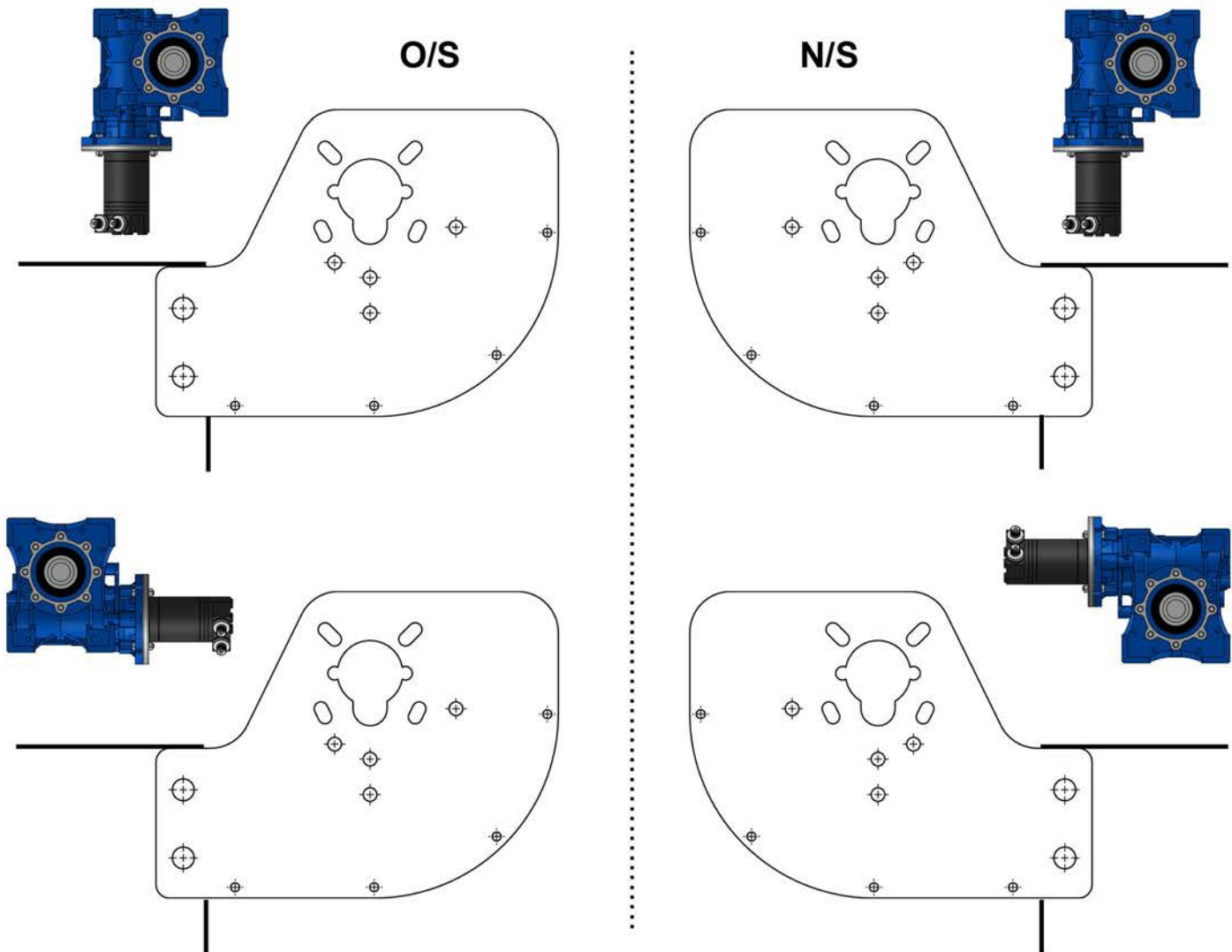


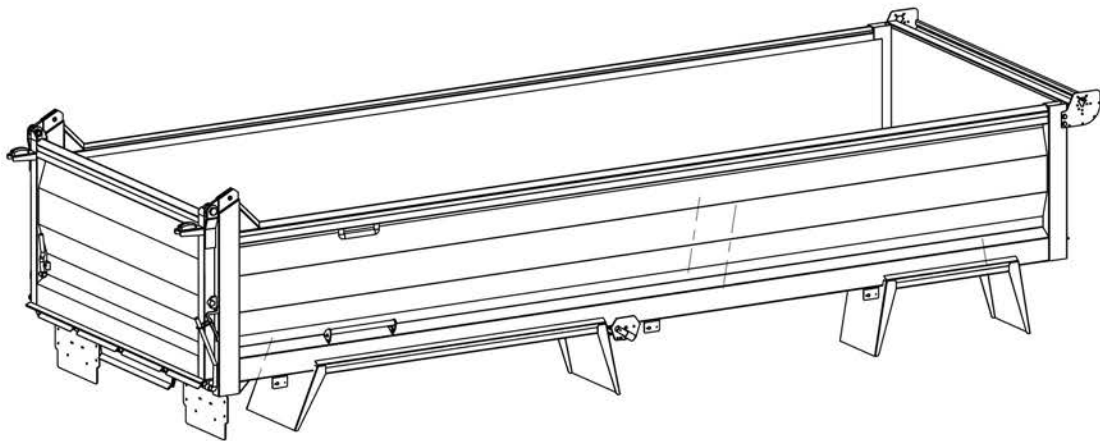
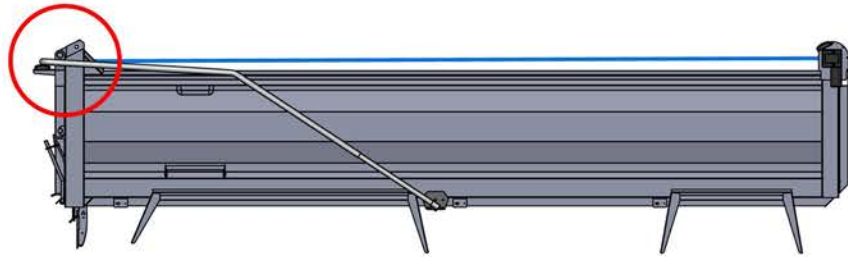
HYDRAULIC MOTOR



 M8 x 20 Set Screw **x 4**

RECOMMENDED





**DETERMINE REAR
LANDING POSITION**

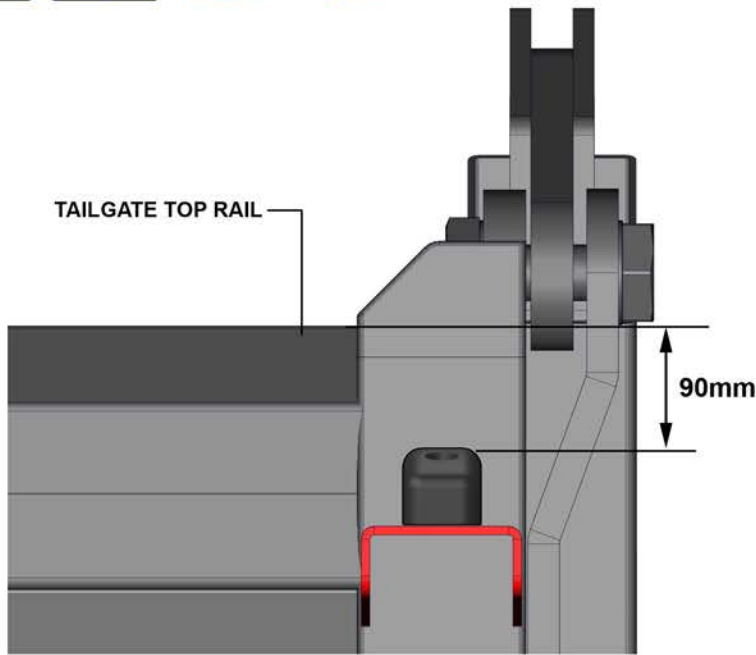
2

ITEMS REQUIRED (DEPENDENT ON KIT)

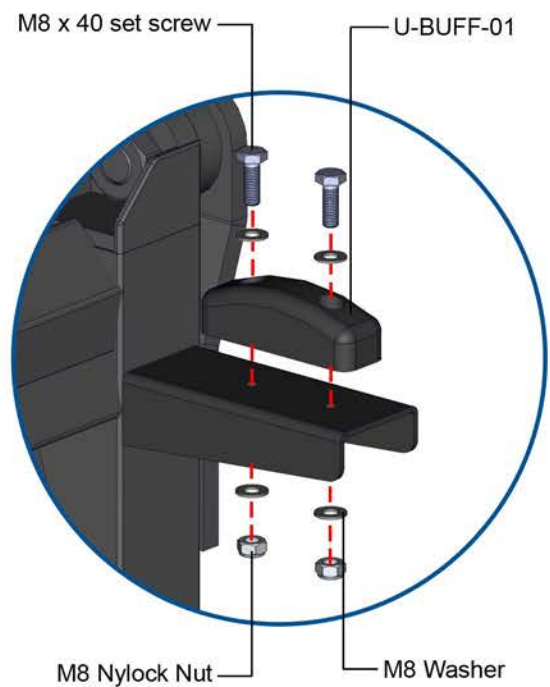
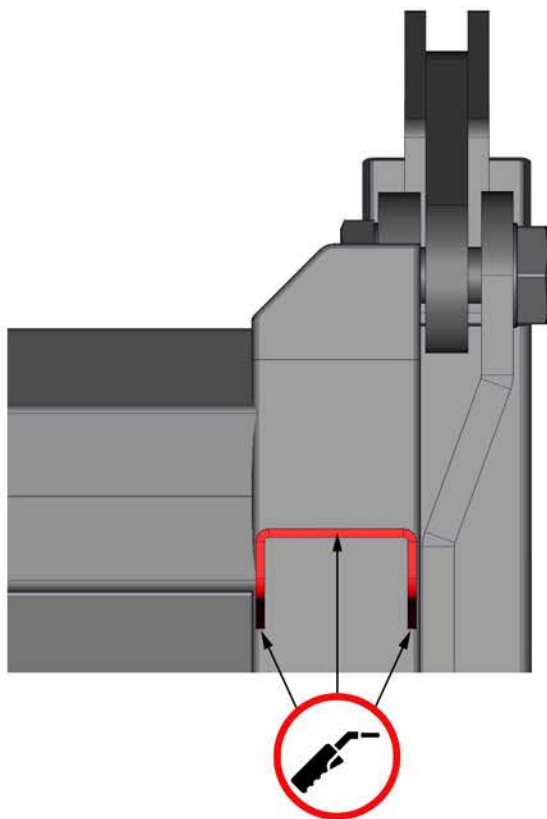
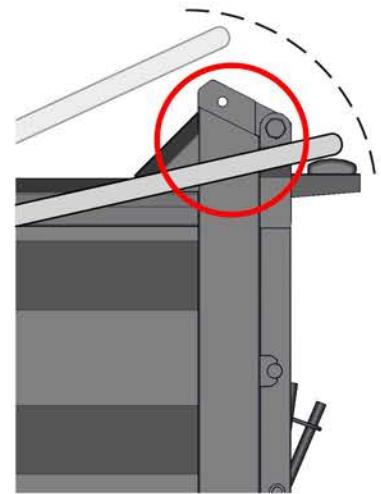
T3 / T3 GRAB / T3T TRAILER / AGRICOVER

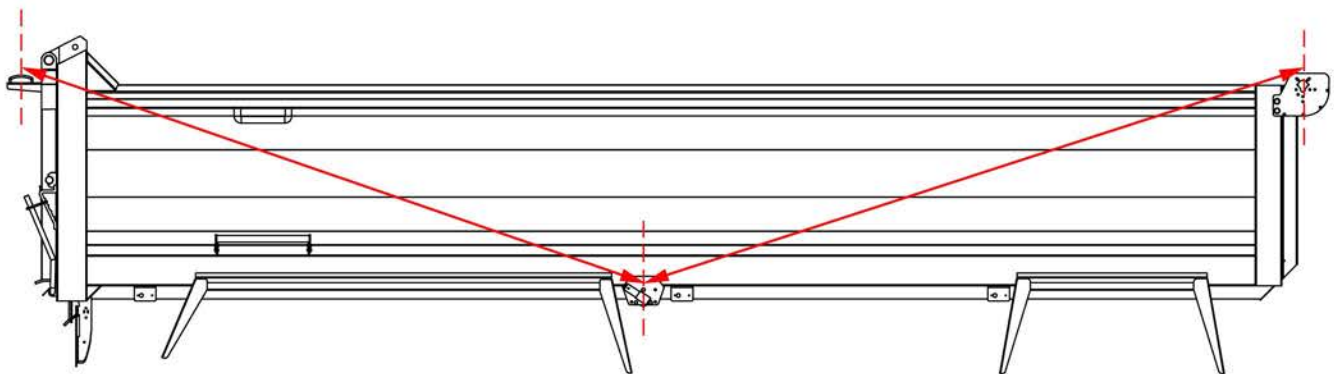
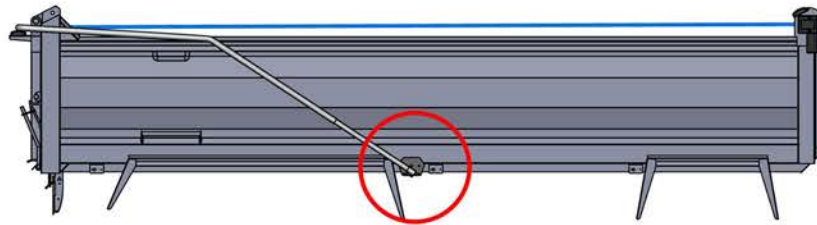
- | | |
|-----------|-----|
| T-SRR-01 | x 2 |
| U-BUFF-01 | x 2 |

REAR REST INSTALL



REAR VIEW





CALCULATING PIVOT POINT

3

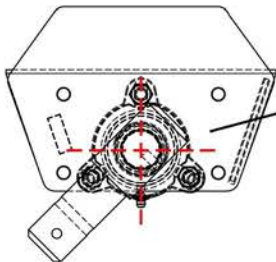
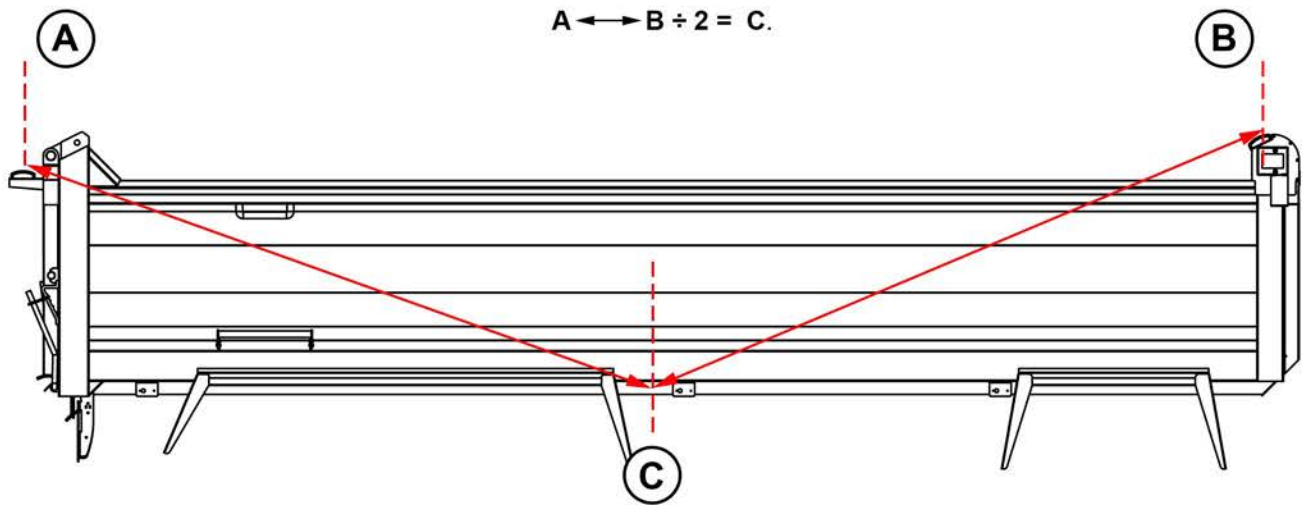
ITEMS REQUIRED (DEPENDENT ON KIT)

T3		T3 GRAB		T3T TRAILER		AGRICOVER	
T-RSPMA-01	x 1	T-RSPMA-02	x 1	T-RSPMA-04	x 1	T-RSMAA-01	x 1
T-LSPMA-01	x 1	T-LSPMA-02	x 1	T-LSPMA-04	x 1	T-LSMAA-01	x 1

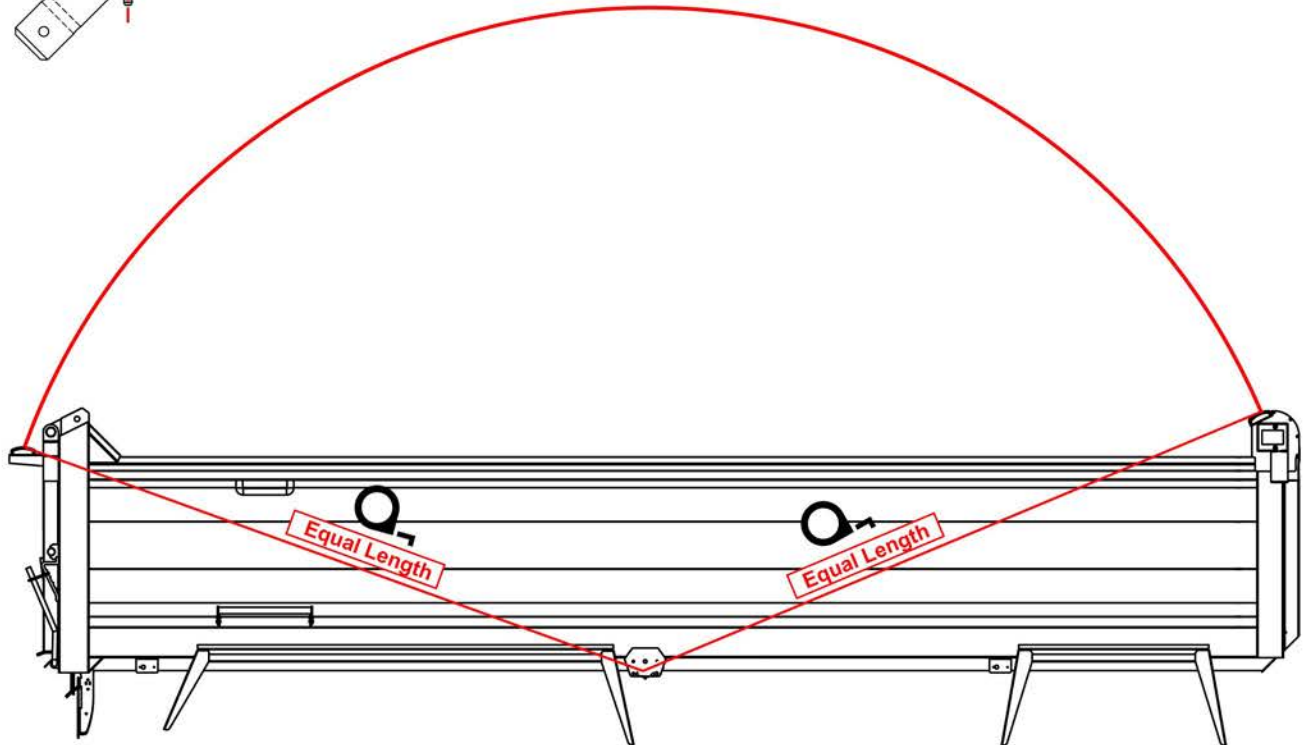
CALCULATING PIVOT POINT



TIPPING BODY FOR ILLUSTRATION PURPOSES ONLY



Note: Pivot point is ALWAYS centre of slotted shaft

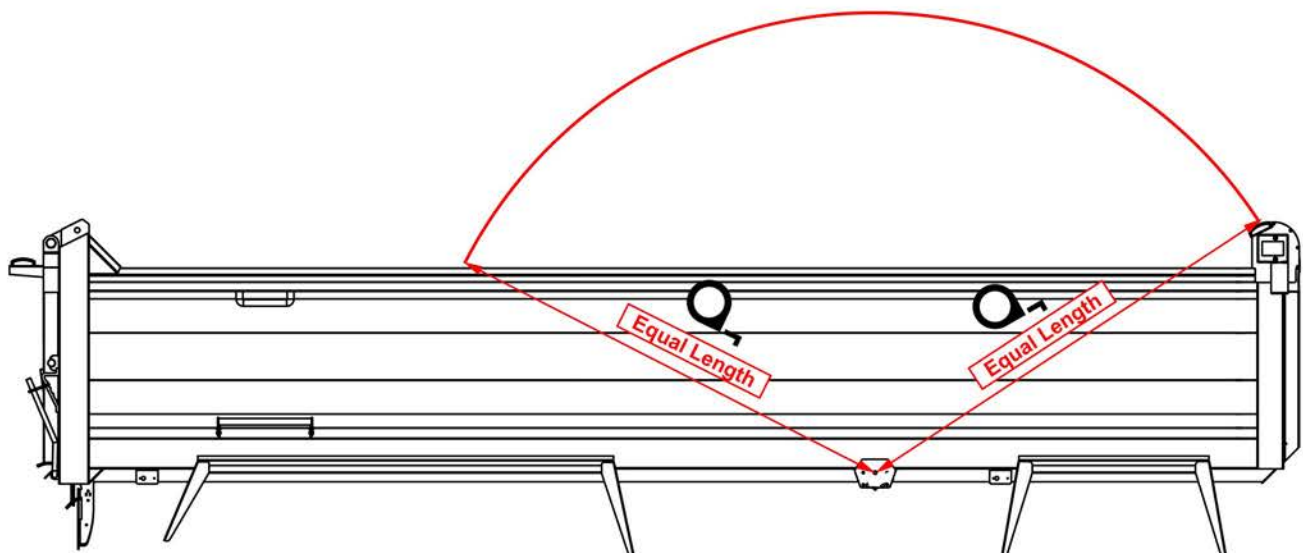
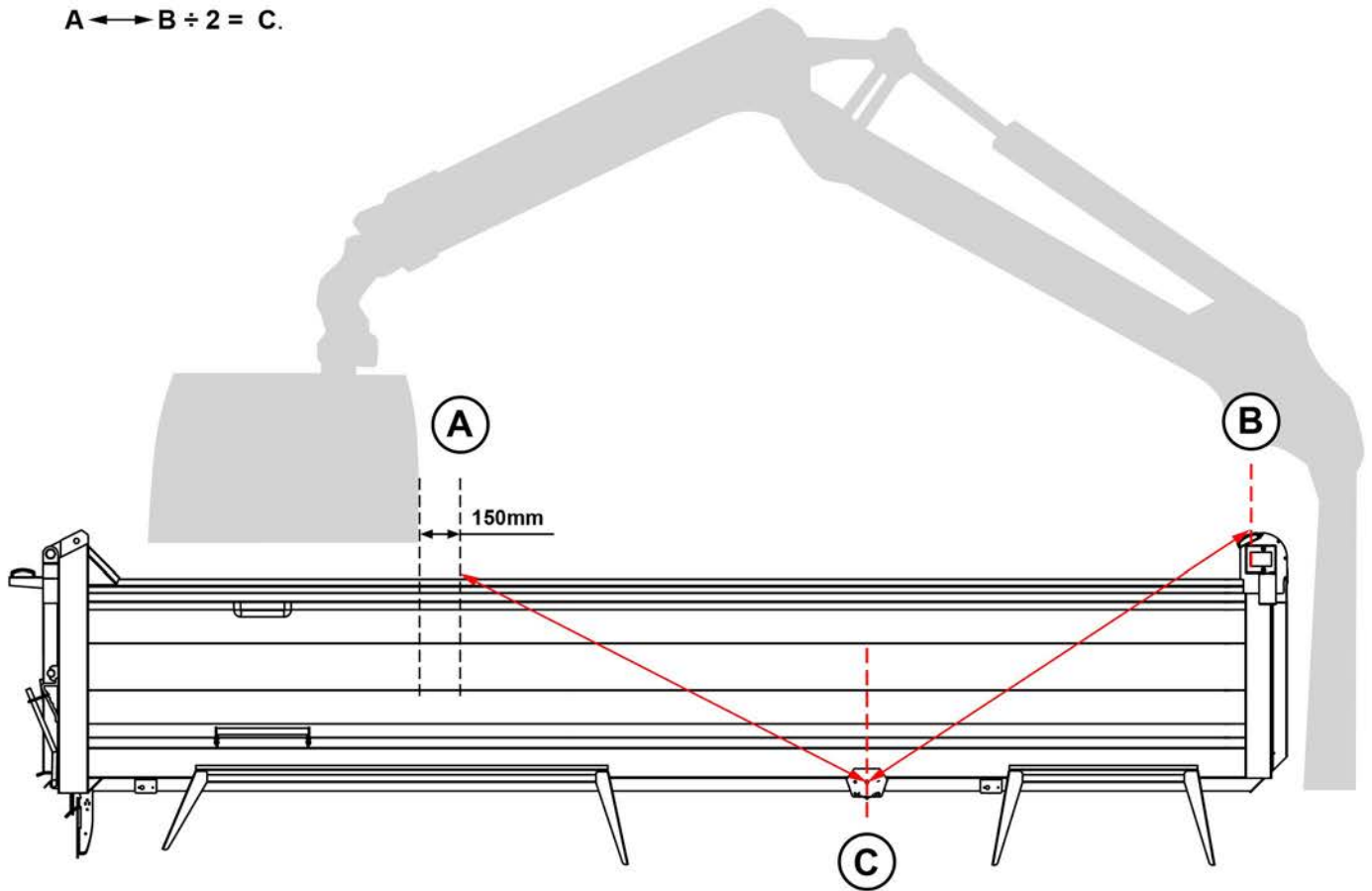


CALCULATING PIVOT POINT



TIPPING BODY FOR ILLUSTRATION PURPOSES ONLY

$$A \longleftrightarrow B \div 2 = C.$$

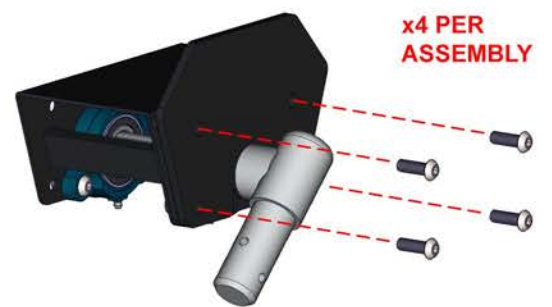
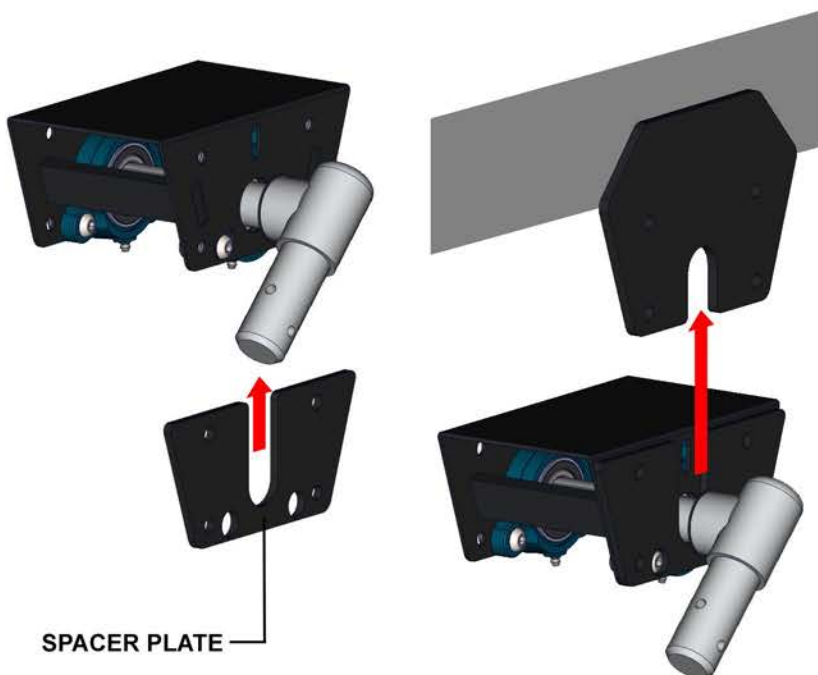
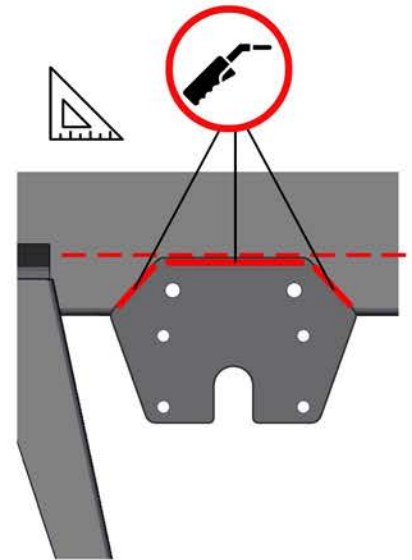
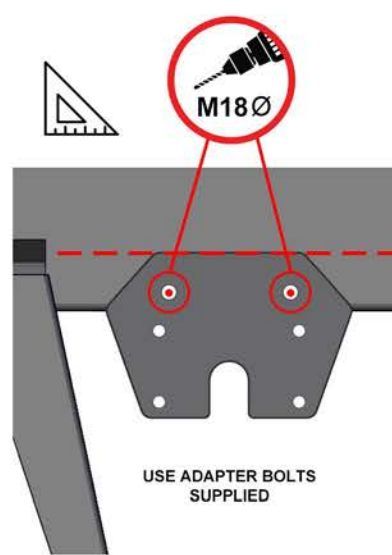
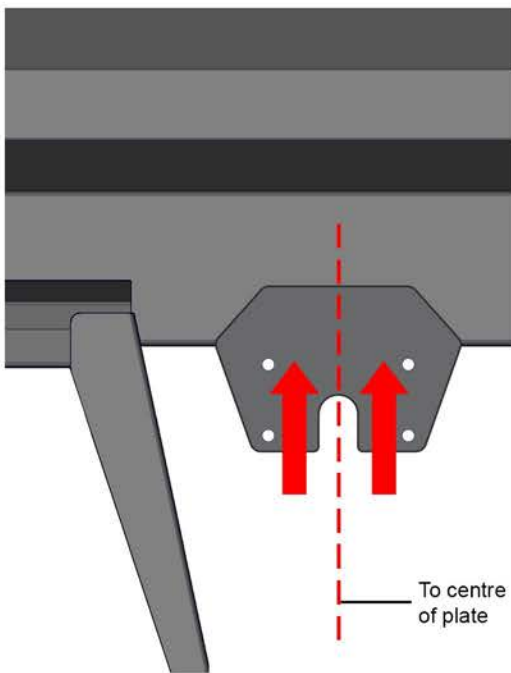


PIVOT ASSEMBLY - T3 / GRAB



OPTION A - BOLT

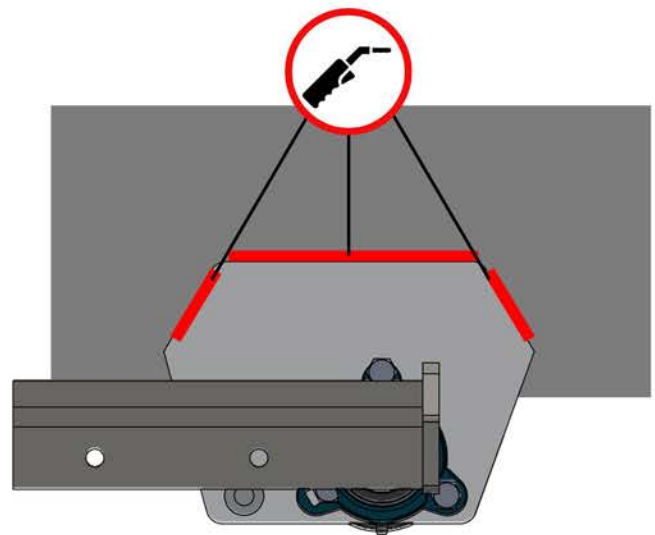
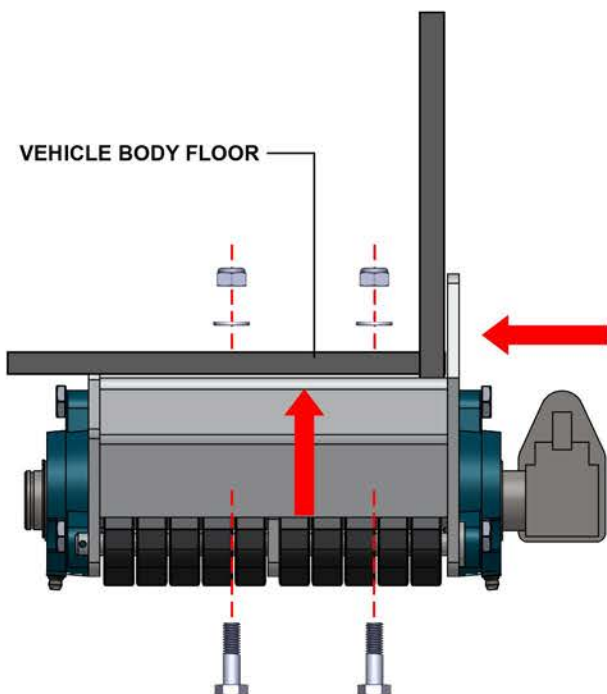
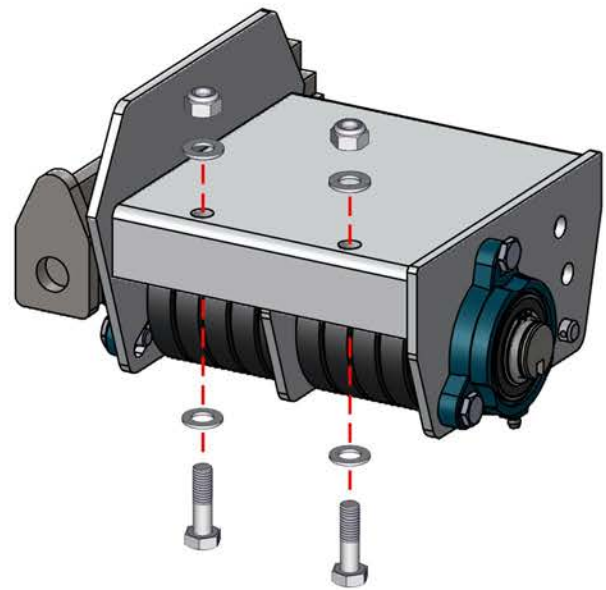
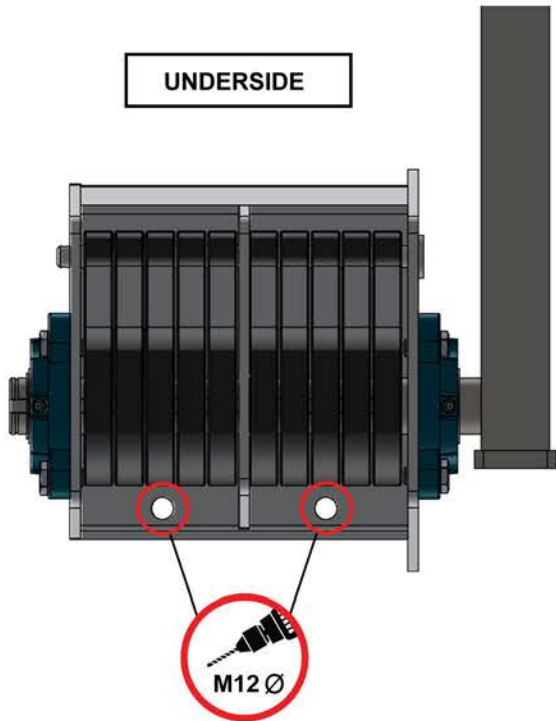
OPTION B - WELD



PIVOT ASSEMBLY - T3T



UNDERSIDE

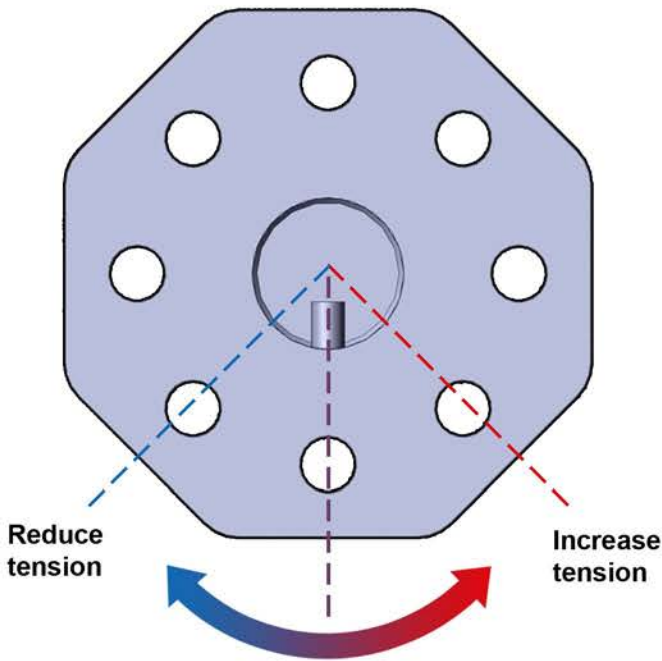


SIDEMOUNT SPRING TENSIONING



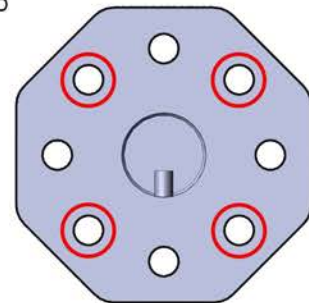
EXAMPLES - RIGHT HAND CONFIGURATION

ADJUSTING THE MOUNTS

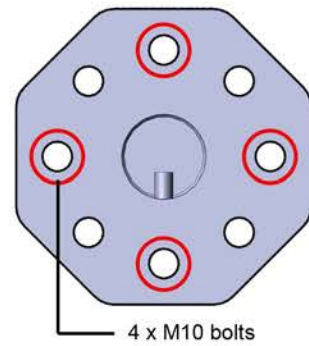


BOLT LOCATIONS

RECOMMENDED



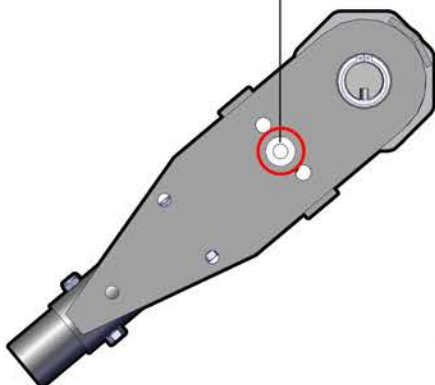
ALTERNATIVE



ADJUSTING THE SPRING ASSEMBLY

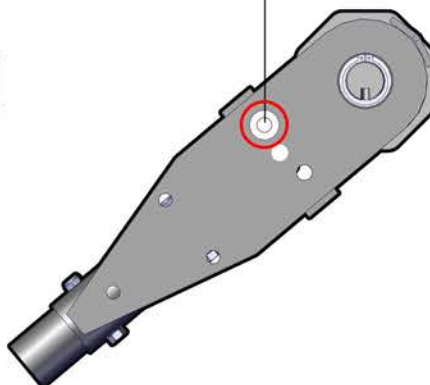
Preset Standard

Position 1 (Default)



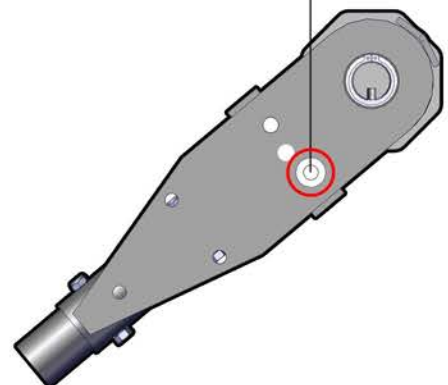
Increase Maximum

Pin Position 2



Reduce Minimum

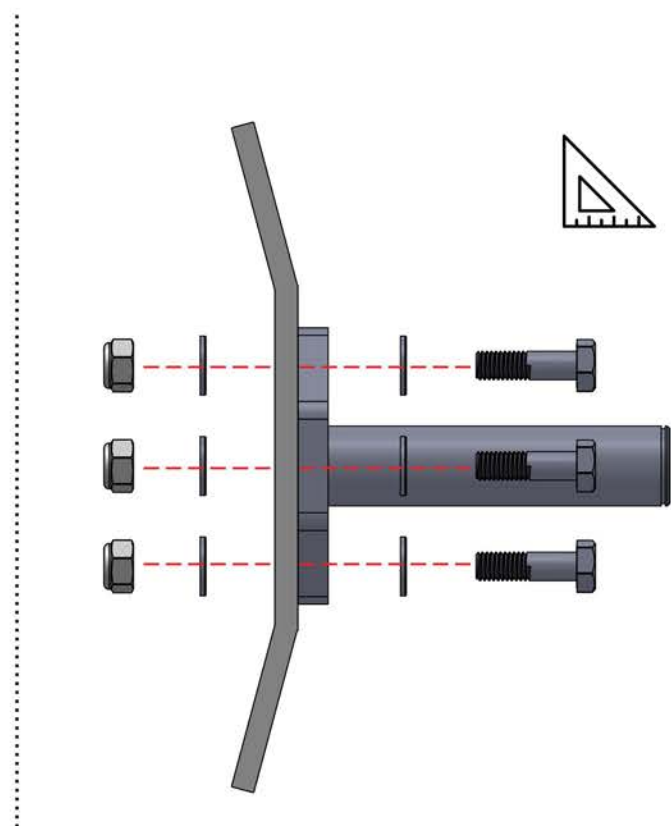
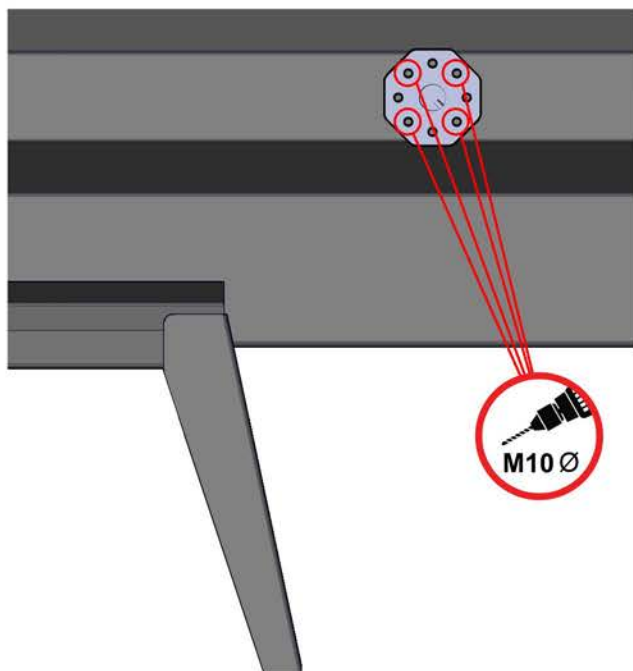
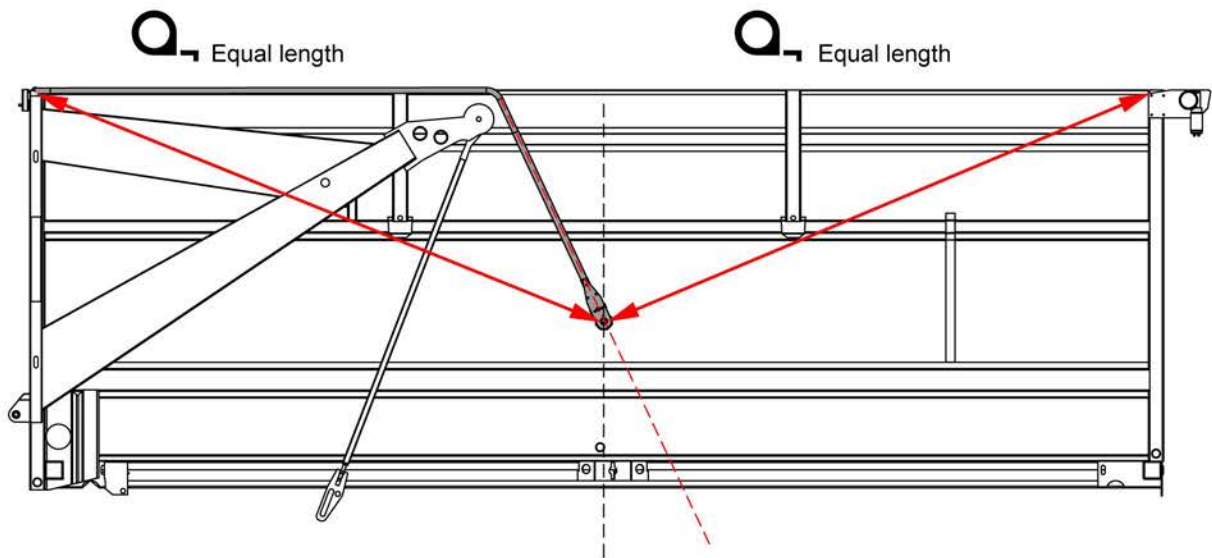
Pin Position 3



PIVOT ASSEMBLY - SIDEMOUNT



Note: Use arm to determine position of mount



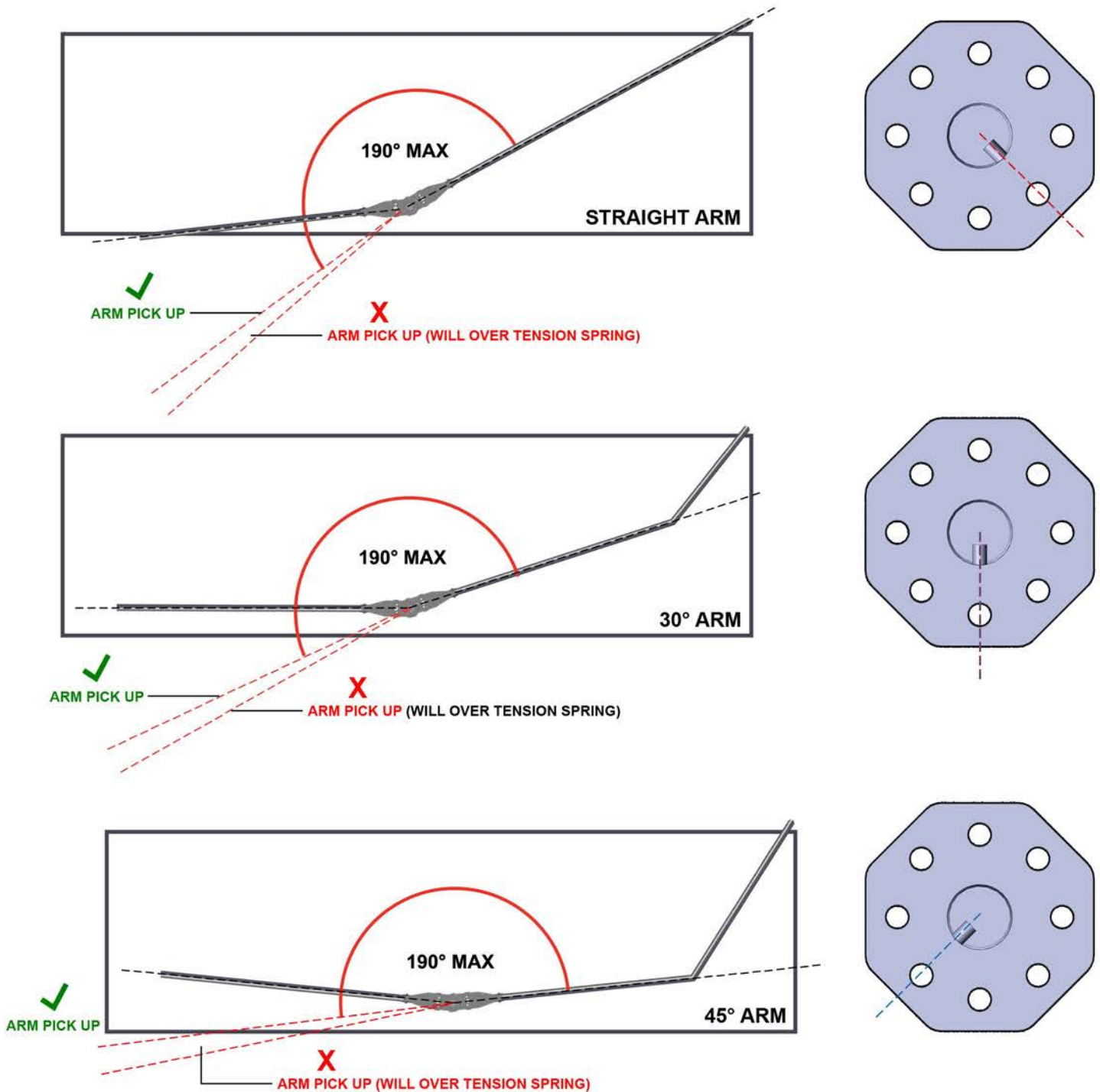
ARM CONFIGURATIONS



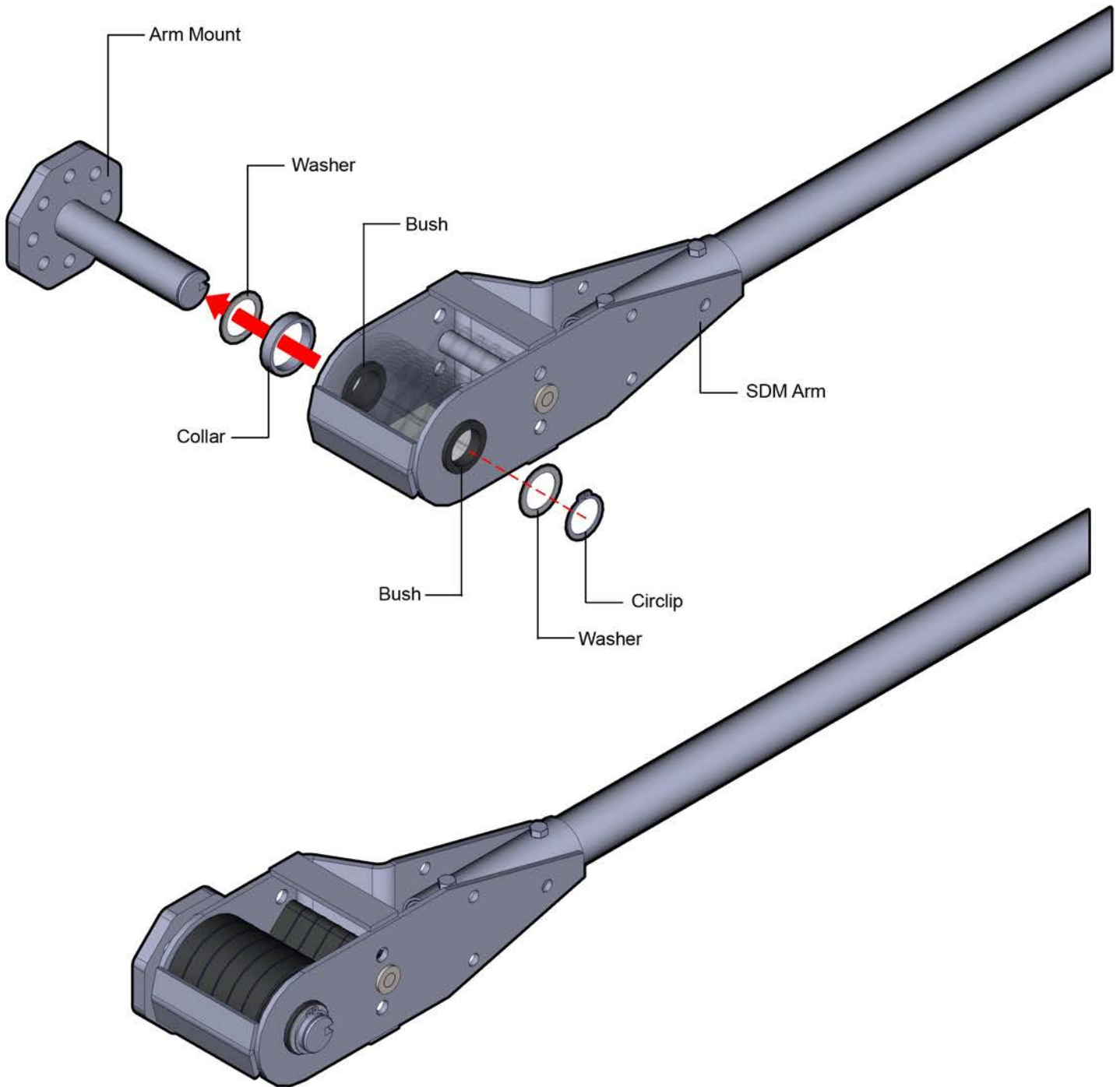
! DIAGRAMS FOR ILLUSTRATION PURPOSES ONLY - PROJECTED ANGLES NOT ACCURATE

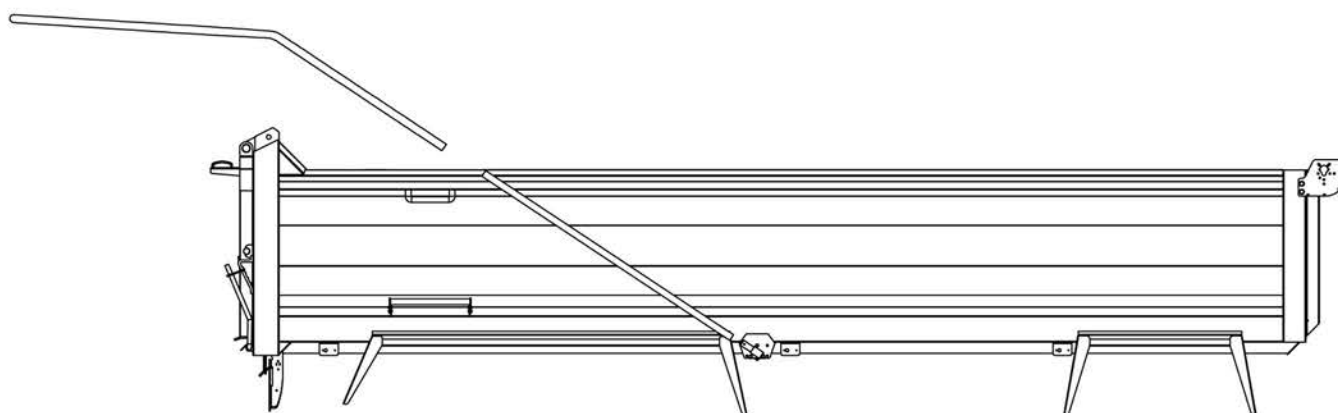
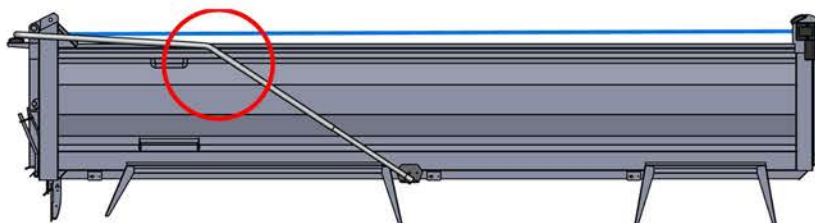
The angle is determined by the upper arm bend pointing toward the pivot. The finished angle should not exceed 190° from the position of the arm starting to tension the spring. This rule applies, regardless of body shape, size or length.

The tension settings must not exceed the capabilities of the spring. Below are some examples



PIVOT ASSEMBLY - SIDEMOUNT





INSTALLATION OF ARMS

4

ITEMS REQUIRED (DEPENDENT ON KIT)

T3 TIPPER

T-LARM-01 x 2
T-LUARM-01 x 1
T-RUARM-01 x 1
U-CB-01 x 1

T3 GRAB

T-LARM-01 x 2
T-UARM-01 x 2
U-CB-01 x 1
U-BUFF-02 x 2

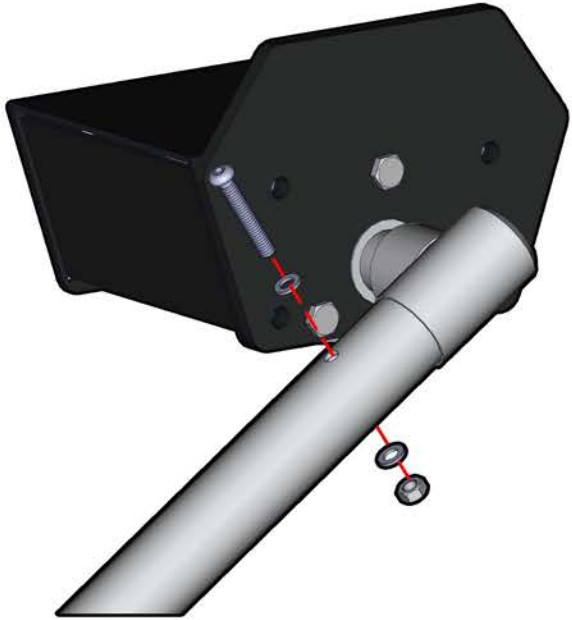
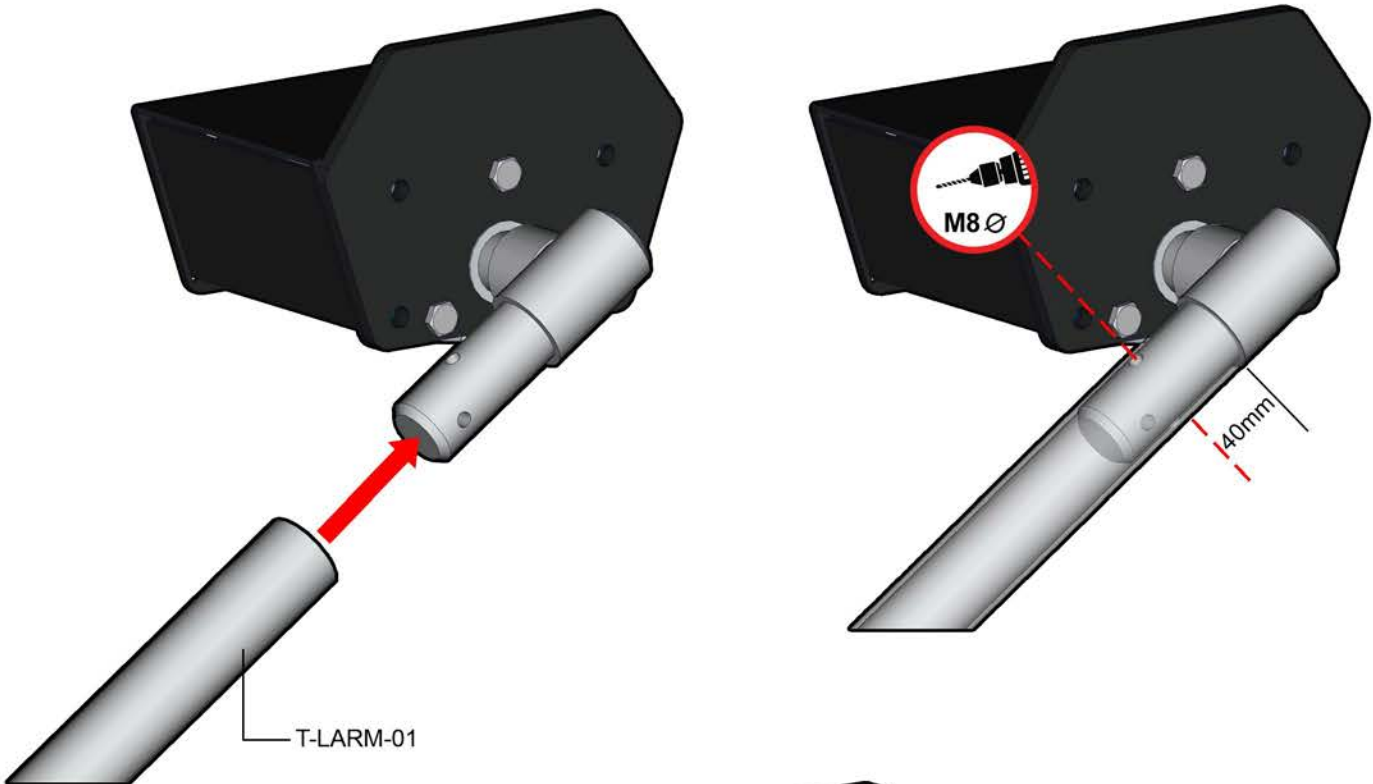
T3T TRAILER




T-ALARM-02 x 1
T-ALARM-03 x 1
T-AUARM-01 x 2
T-ACB-01 x 1
U-BUFF-08 x 2

AGRICOVER

T-LARM-03 x 2
U-CB-01 x 1
(ARMS SPECIAL) x 2

INSTALLING LOWER ARMS - T3

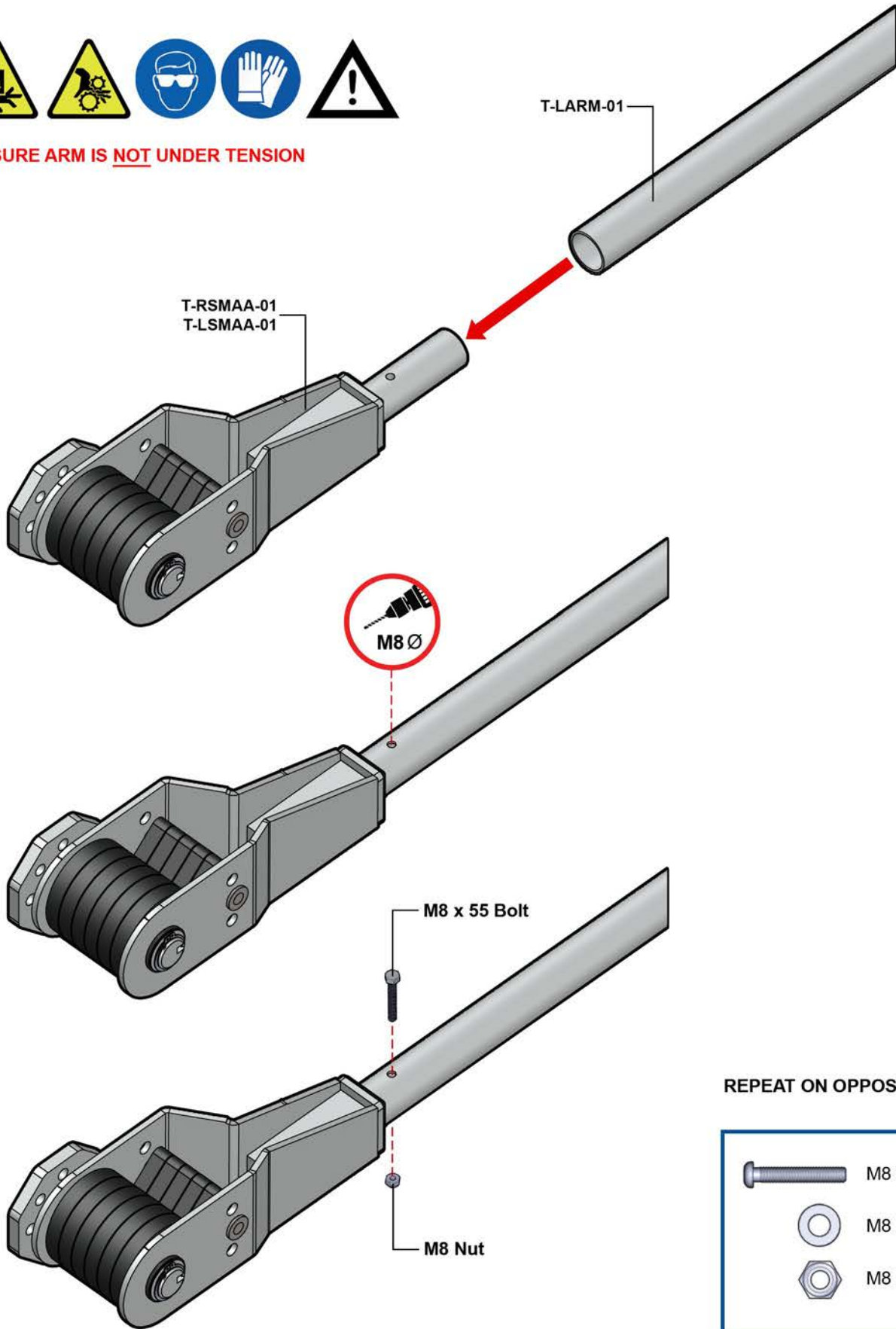


	M8 x 55 Button Head Set	x2
	M8 Washer	x4
	M8 Nut	x2

INSTALLING LOWER ARMS - SIDEMOUNT



• ENSURE ARM IS NOT UNDER TENSION



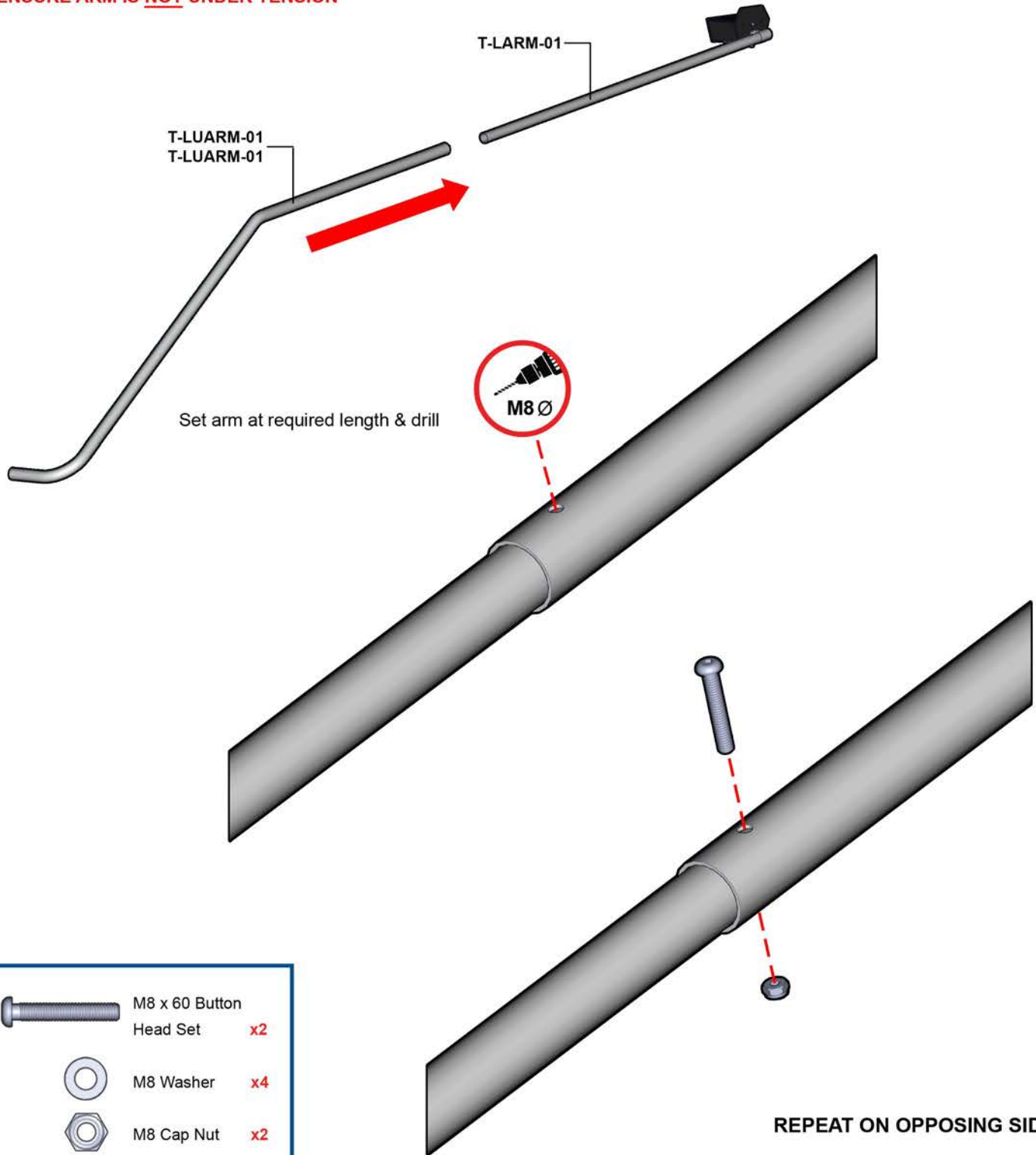
REPEAT ON OPPOSING SIDE




	M8 x 55 Bolt	x4
	M8 Washer	x8
	M8 Nut	x4

INSTALLING UPPER ARMS - T3

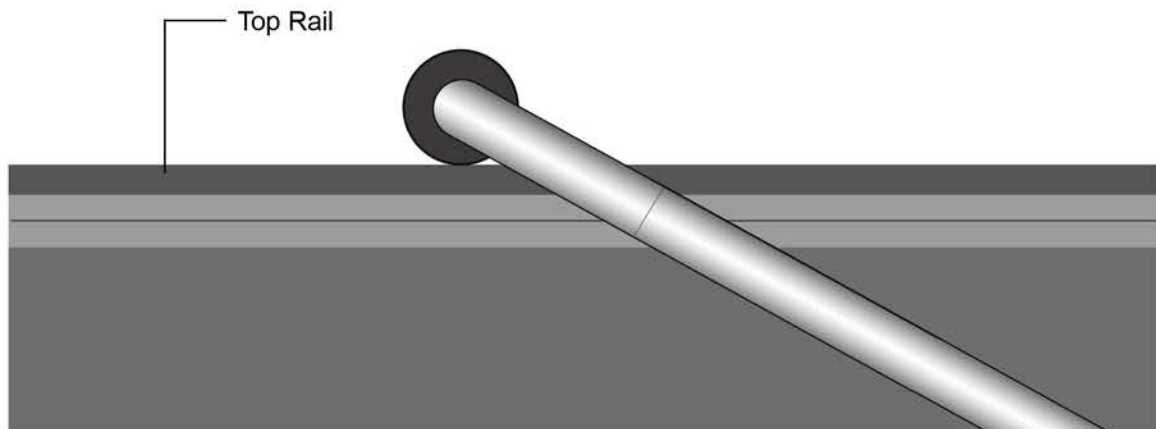
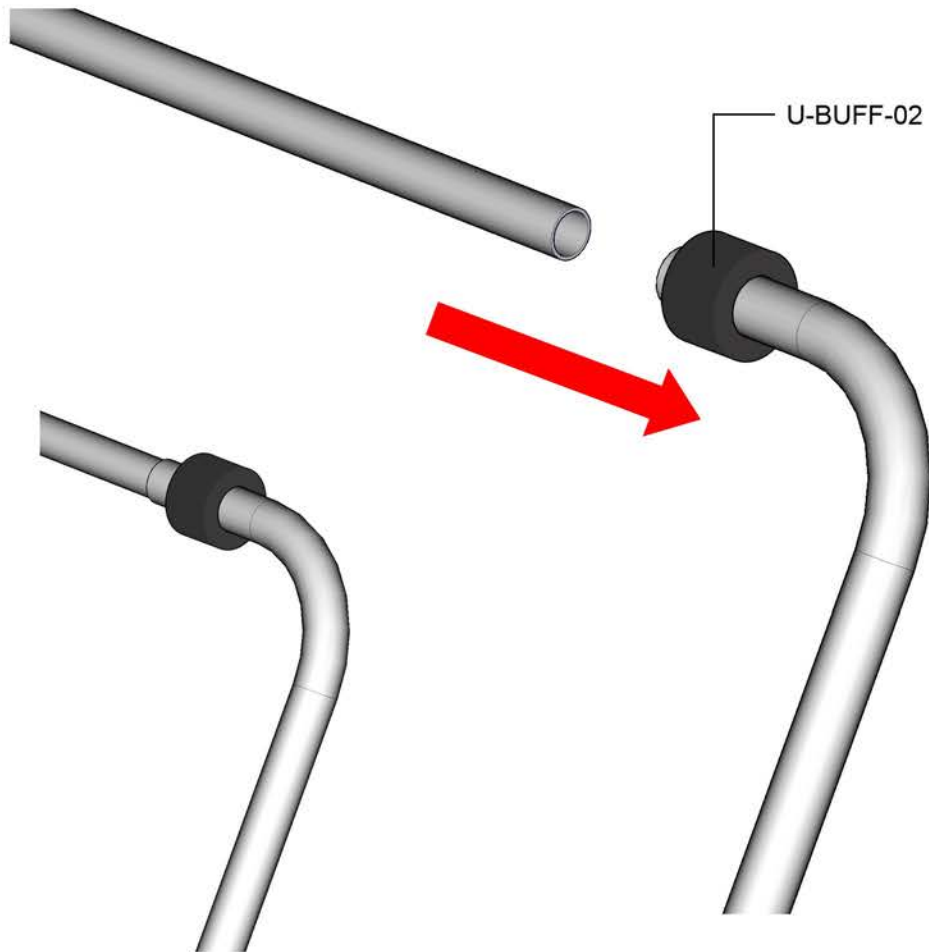


• ENSURE ARM IS NOT UNDER TENSION



	M8 x 60 Button Head Set	x2
	M8 Washer	x4
	M8 Cap Nut	x2

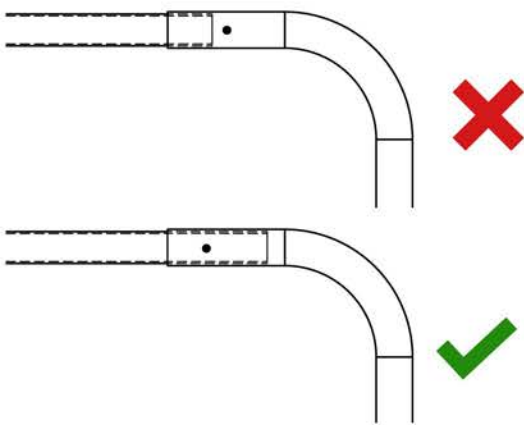
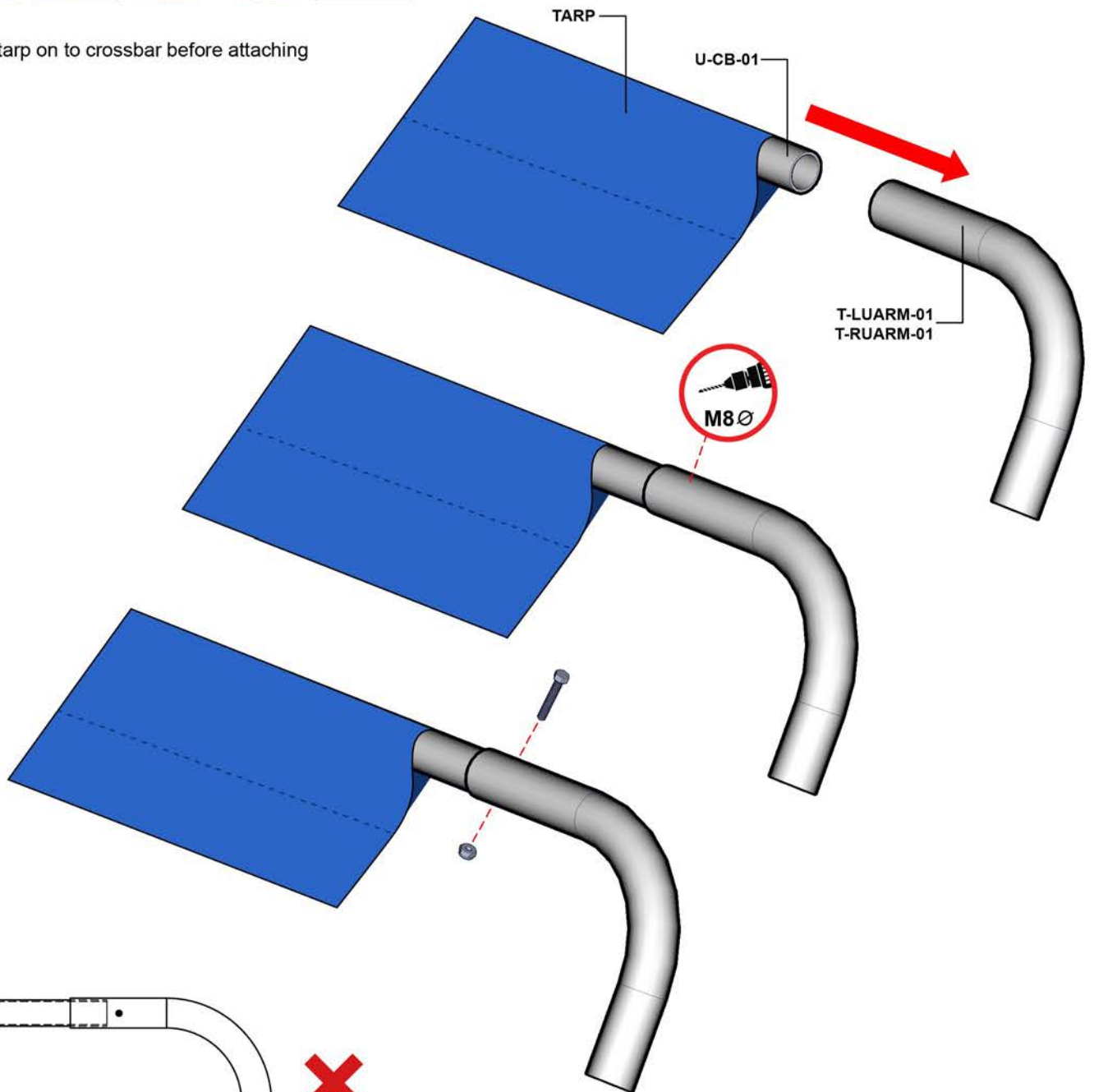
ARM BUFFER INSTALL






INSTALLING CROSSBAR - T3



• Slide tarp on to crossbar before attaching

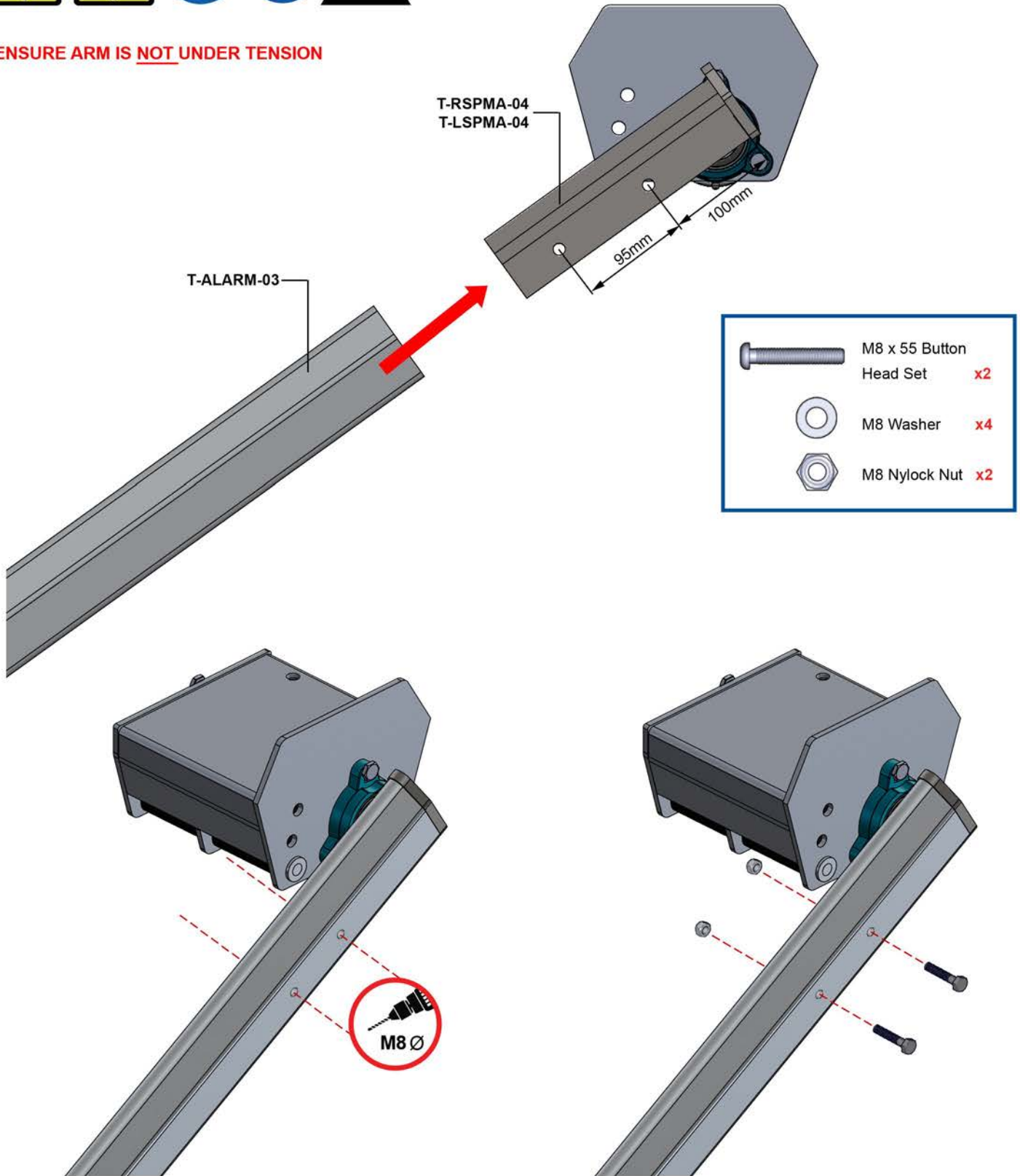


	M8 x 60 Button Head Set Screw	x4
	M8 Washer	x8
	M8 Cap Nut	x4

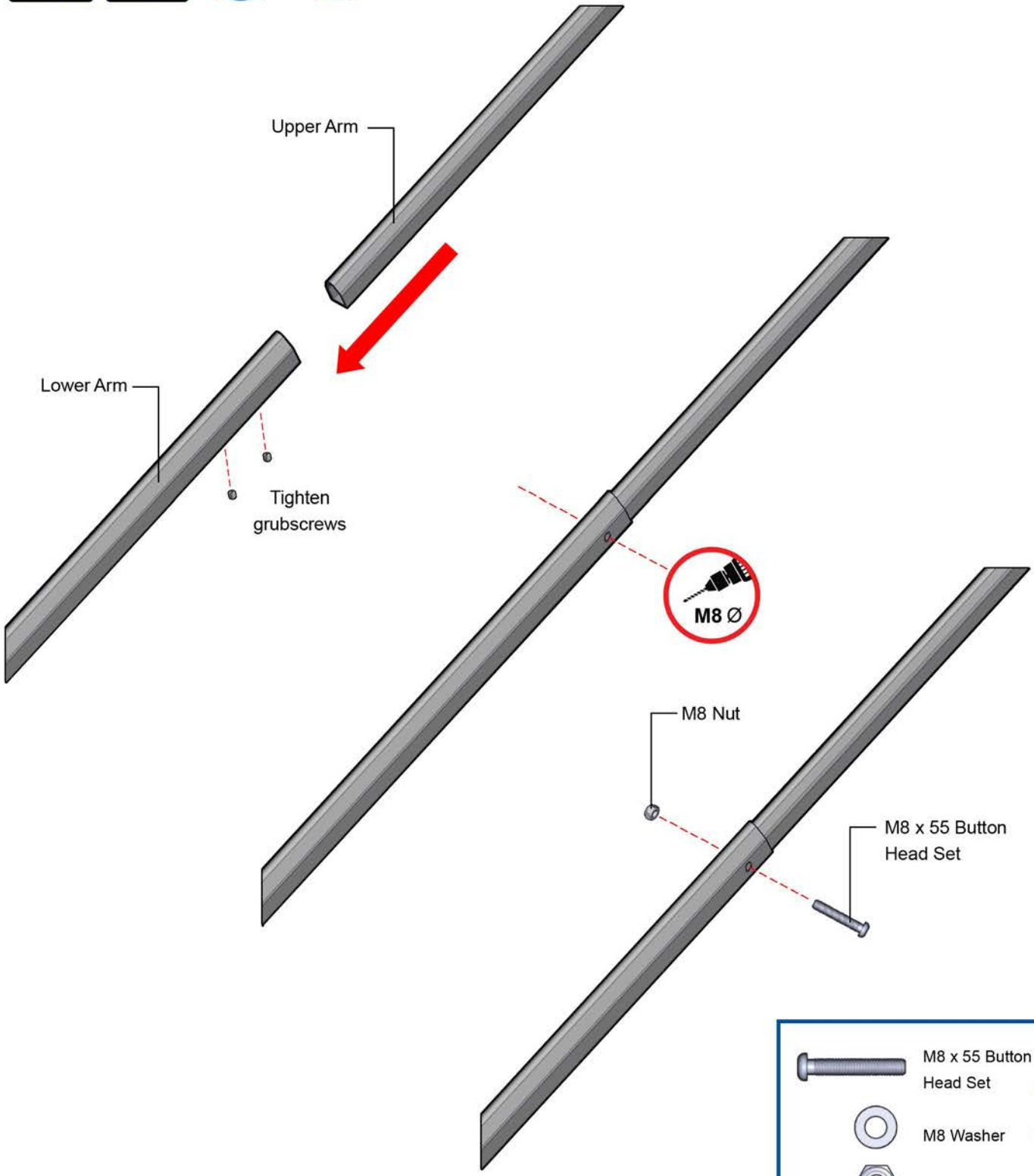
INSTALLING LOWER ARMS - T3T






• ENSURE ARM IS NOT UNDER TENSION



INSTALLING UPPER ARMS - T3T

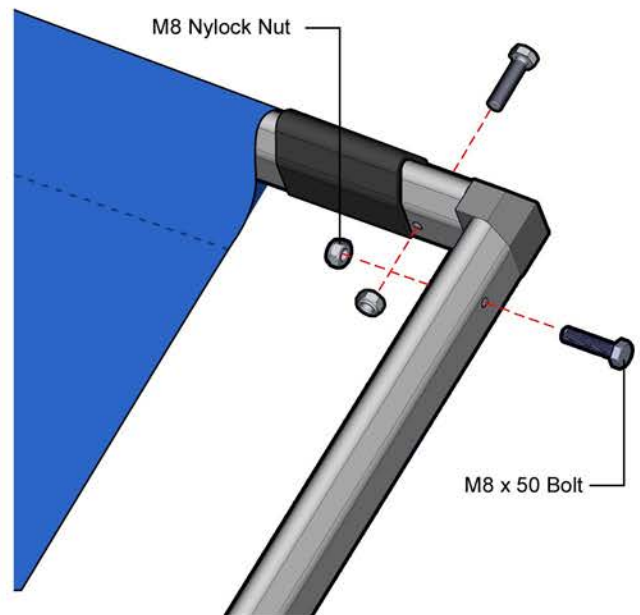
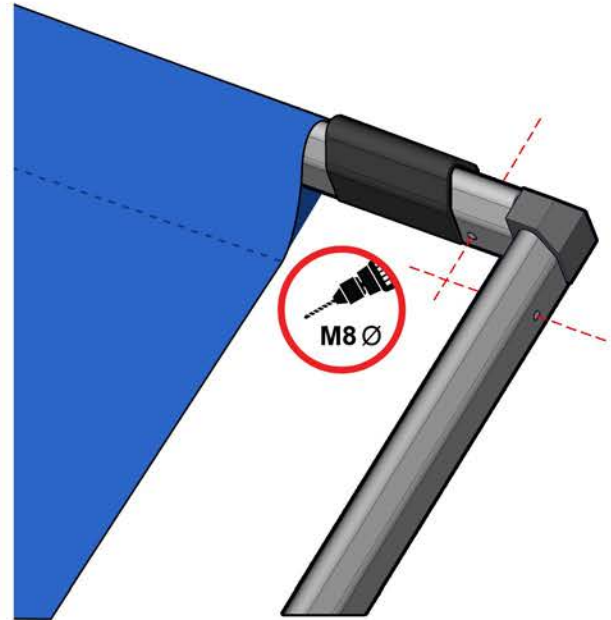
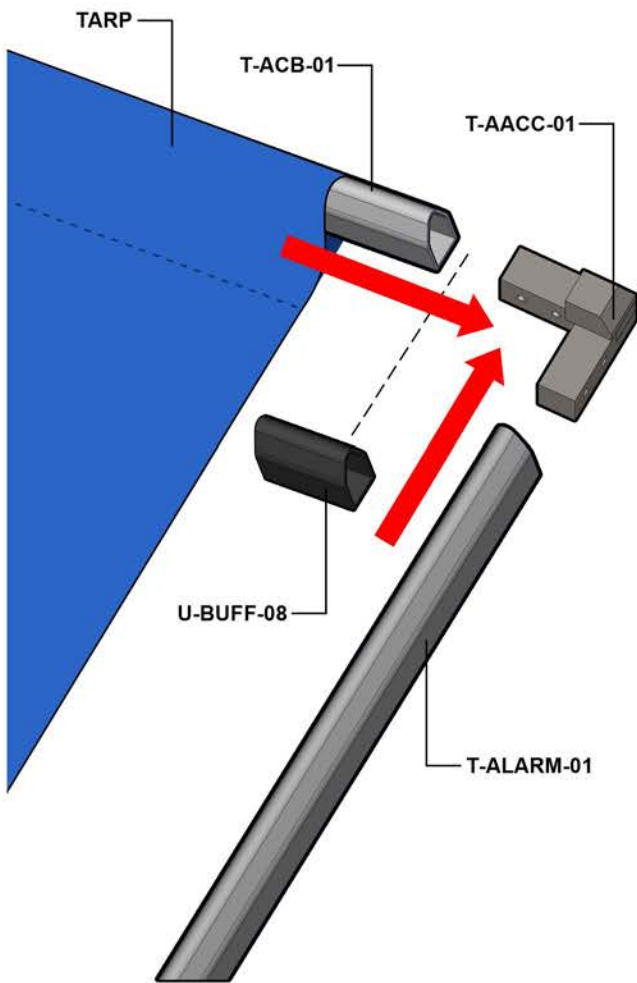


	M8 x 55 Button Head Set	x2
	M8 Washer	x4
	M8 Nut	x2

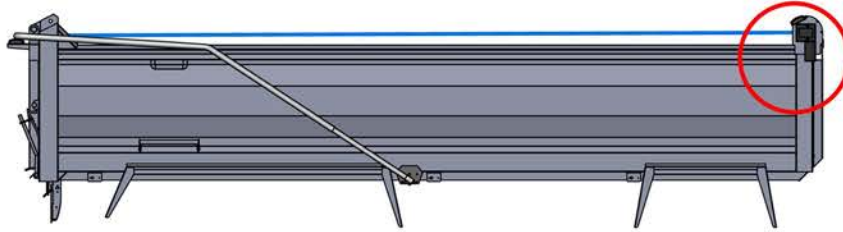
INSTALLING CROSSBAR - T3T



• Slide tarp on to crossbar before attaching



- | | | |
|--|---------------|----|
| | M8 x 50 Bolt | x4 |
| | M8 Washer | x8 |
| | M8 Nylock Nut | x4 |



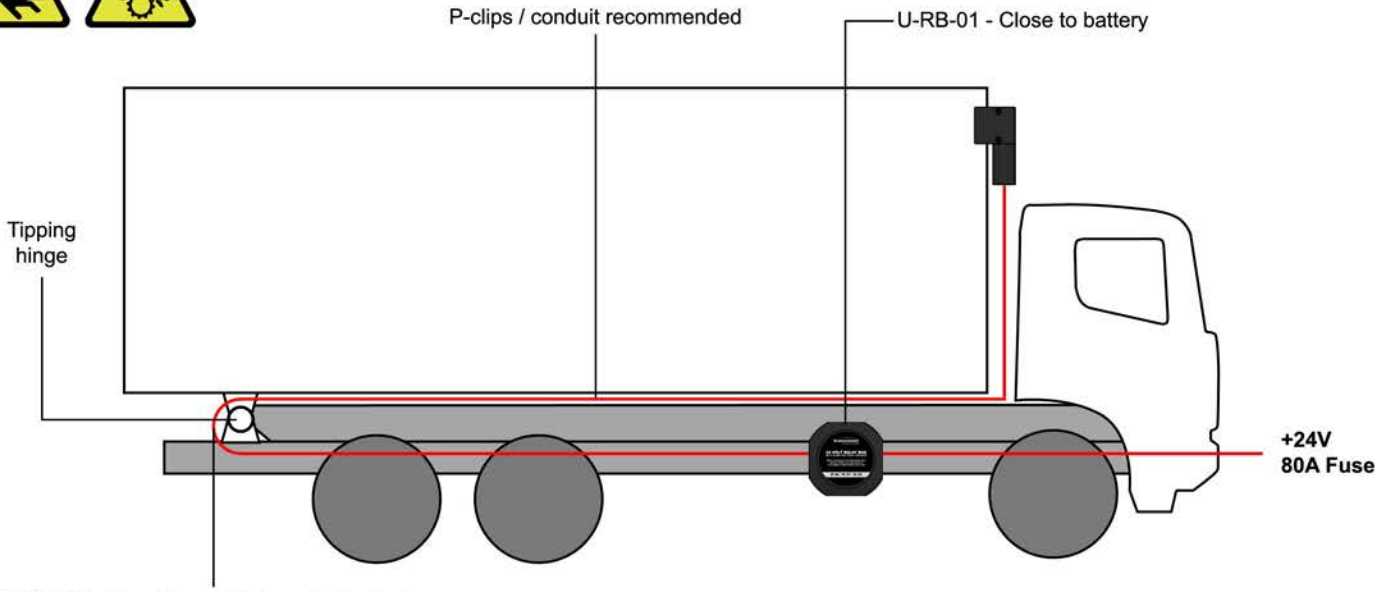
WIRING DIAGRAMS

5

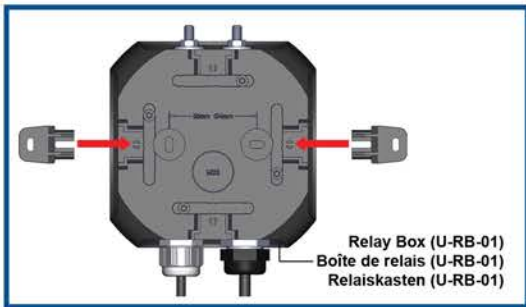
ITEMS REQUIRED (DEPENDENT ON KIT)

T3 TIPPER		T3 GRAB		T3T TRAILER		AGRICOVER	
U-RB-01	x 1	U-RB-01	x 1	U-RB-01	x 1	U-RB-01	x 1
T-RSW-01	x 1	U-WSW-01	x 1	U-WSW-01	x 1	T-RSW-01	x 1
U-80F-01	x 1	U-80F-01	x 1	U-80F-01	x 1	U-80F-01	x 1
U-WIRE-01	x 1	U-WIRE-01	x 1	U-WIRE-01	x 1	U-ANDCON-01	x 2
				U-SUSI-01	x 1	U-WSW-01	x 1
				U-SUSIC-01	x 2	SINGLE CORE RED	x 1
				U-SUSIB-01	x 2	SINGLE CORE BLACK	x 1
						CONNECTORS	x 1
				TOWER			
				T-TSB-01	x 1		
				T-TAS-01	x 1		
				A-ACYL-01	x 2		
				U-TRACK-01	x 1		
				U-ACB-01	x 1		
				U-ACBM-01	x 1		
				T-AFK-01	x 1		

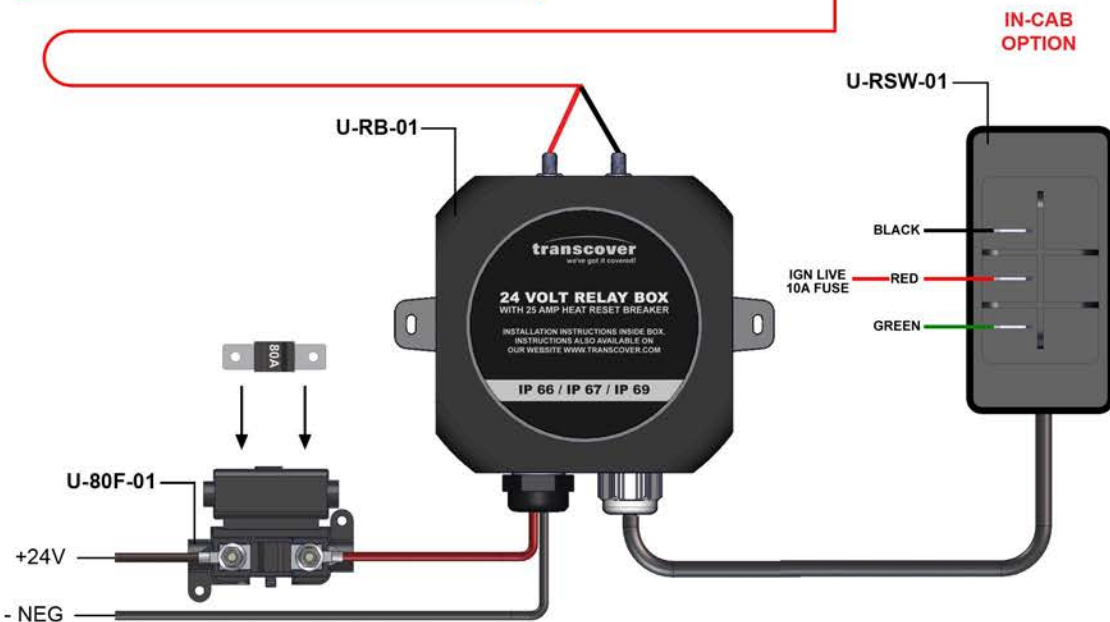
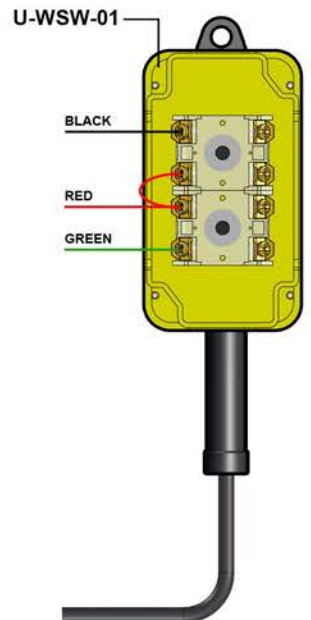
WIRING



CAUTION: Consider cable length for tipping



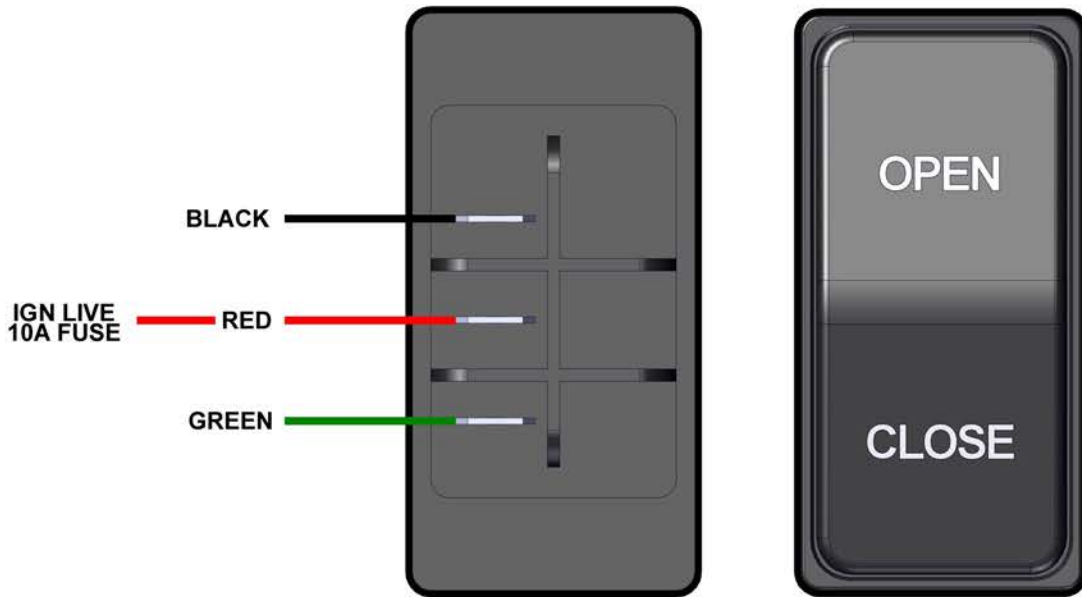
EXTERNAL OPTION



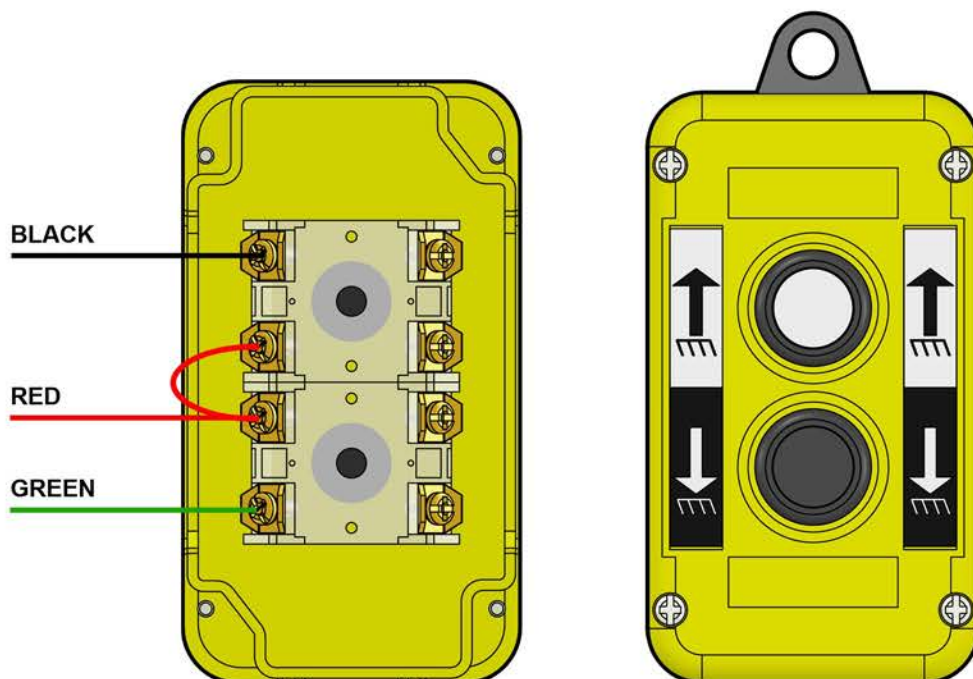
SWITCH WIRING



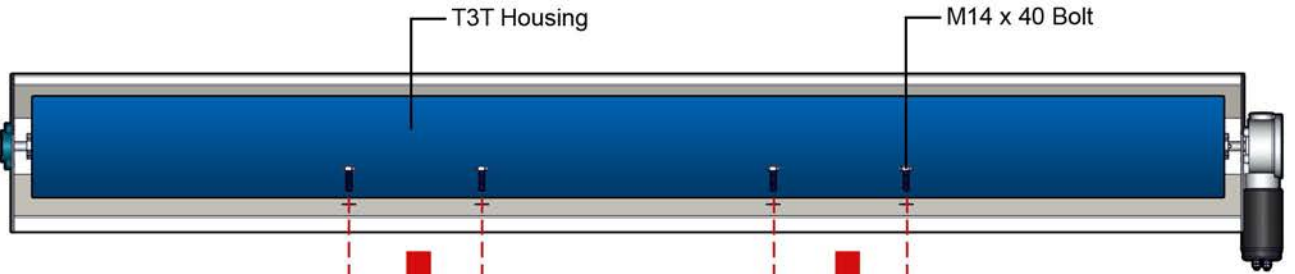
T-RSW-01






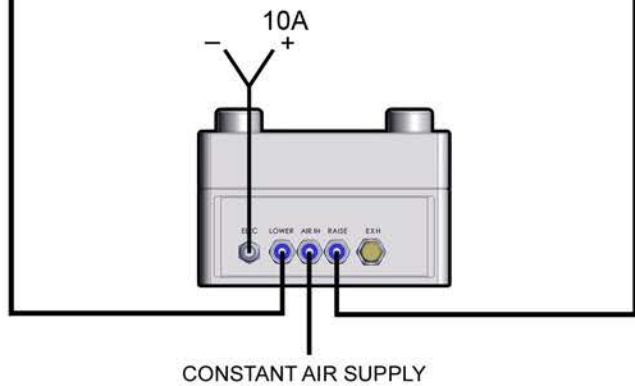
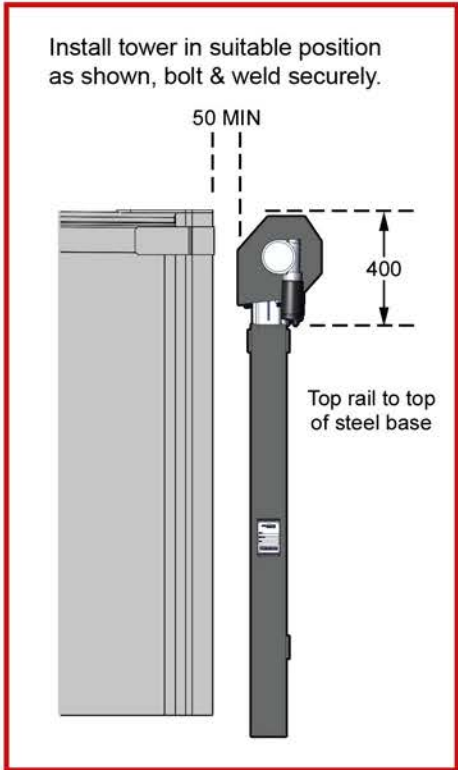
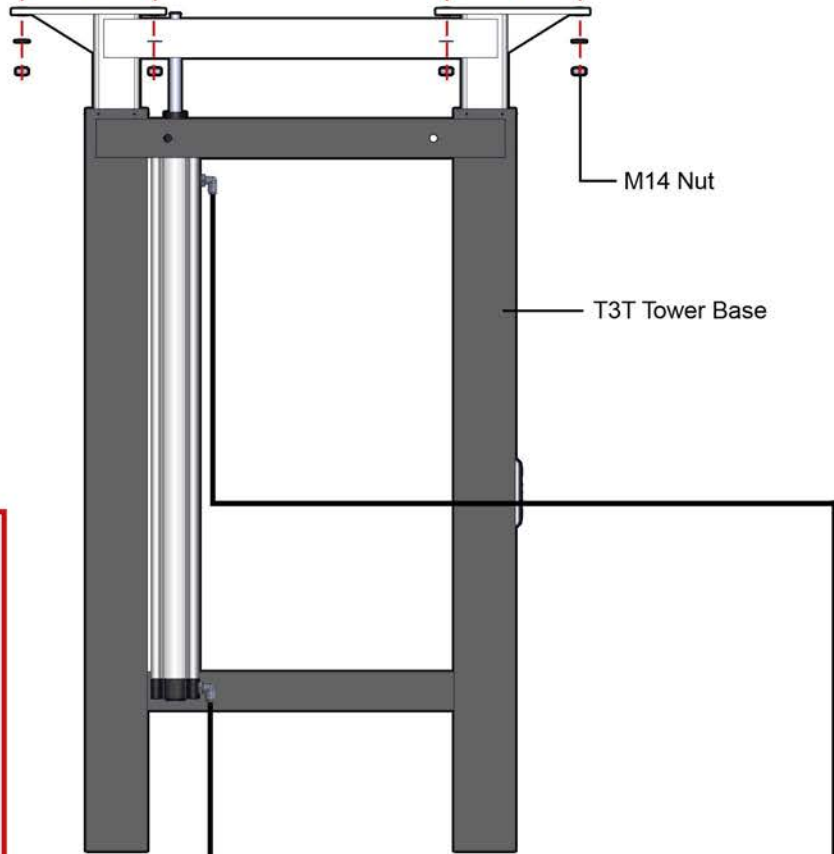
U-WSW-01

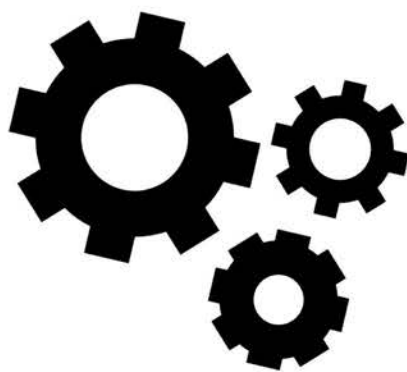


TOWER INSTALL - T3T



-  M14 x 40 Bolt **x8**
-  M14 Washer **x16**
-  M14 Nut **x6**





OPERATION

6

OPERATION - COVER



STAND CLEAR OF VEHICLE IN SAFE PLACE WHEN OPERATING



RAISE TOWER IF SUPPLIED - T3T TOWER ONLY

IN-CAB SWITCH

OPEN
CLOSE

- PRESS & HOLD
- APPUYEZ ET MAINTENEZ
- DRÜCKEN UND HALTEN

WATERPROOF SWITCH

CLOSE

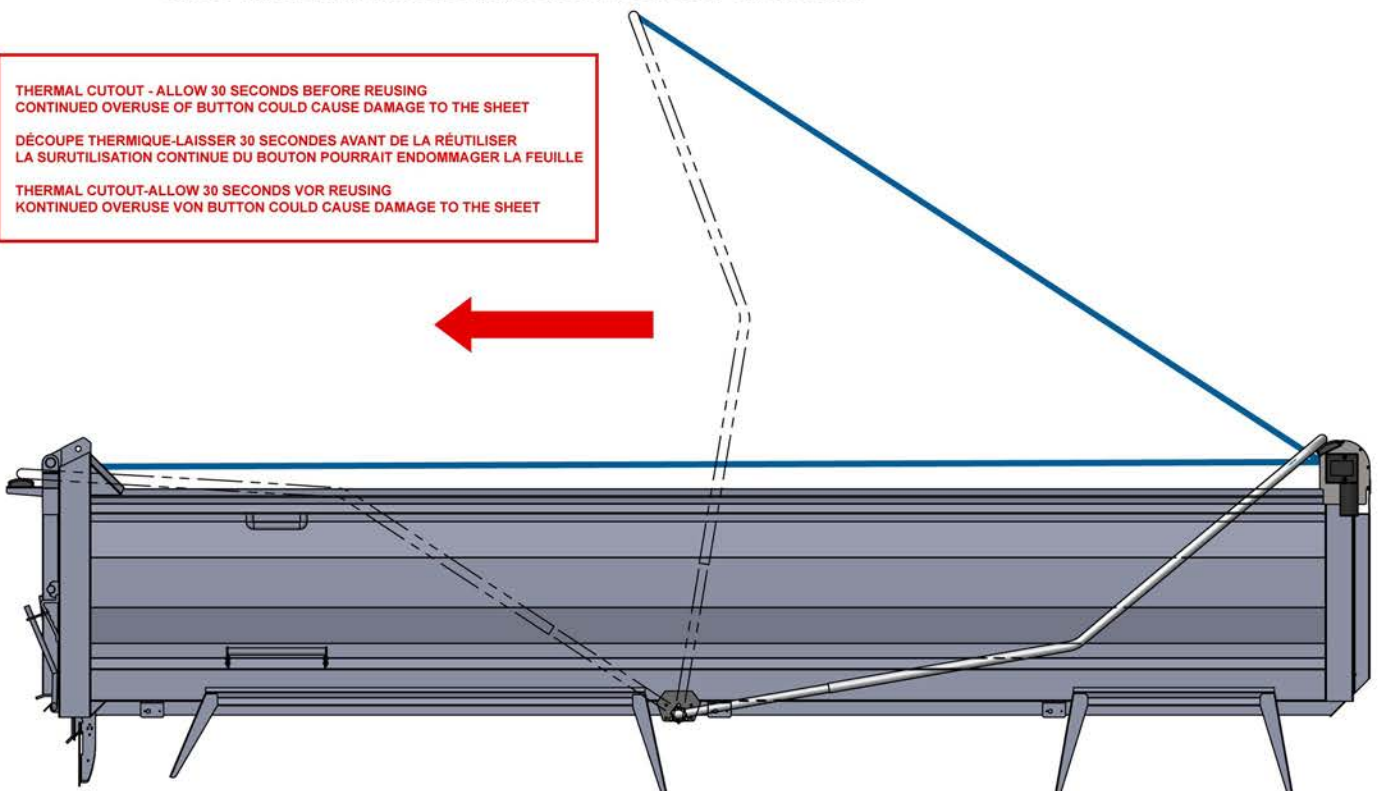
- PRESS & HOLD
- APPUYEZ ET MAINTENEZ
- DRÜCKEN UND HALTEN

CONTINUED OVERUSE COULD CAUSE DAMAGE TO THE SHEET.
FITTED WITH A THERMAL CUT-OUT. ALLOW 30 SECONDS BEFORE REUSING.

THERMAL CUTOUT - ALLOW 30 SECONDS BEFORE REUSING
CONTINUED OVERUSE OF BUTTON COULD CAUSE DAMAGE TO THE SHEET

DÉCOUPE THERMIQUE-LAISSER 30 SECONDES AVANT DE LA RÉUTILISER
LA SURUTILISATION CONTINUE DU BOUTON POURRAIT ENDOMMAGER LA FEUILLE

THERMAL CUTOUT-ALLOW 30 SECONDS VOR REUSING
KONTINUED OVERUSE VON BUTTON COULD CAUSE DAMAGE TO THE SHEET



OPERATION - UNCOVER



STAND CLEAR OF VEHICLE IN SAFE PLACE WHEN OPERATING



RAISE TOWER IF SUPPLIED - T3T TOWER ONLY

IN-CAB SWITCH



• PRESS & HOLD
 • APPUYEZ ET MAINTENEZ
 • DRÜCKEN UND HALTEN

WATERPROOF SWITCH



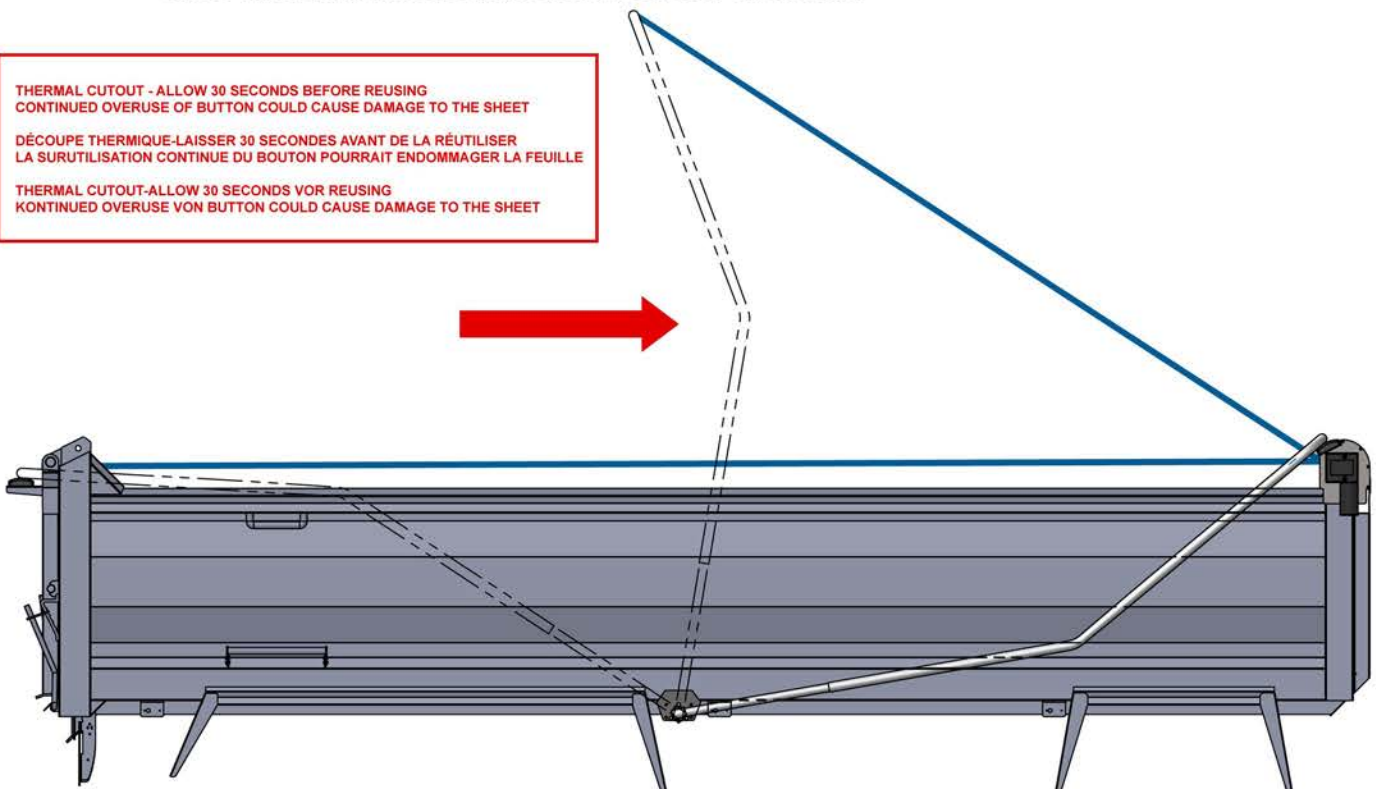
• PRESS & HOLD
 • APPUYEZ ET MAINTENEZ
 • DRÜCKEN UND HALTEN

CONTINUED OVERUSE COULD CAUSE DAMAGE TO THE SHEET.
 FITTED WITH A THERMAL CUT-OUT. ALLOW 30 SECONDS BEFORE REUSING.

THERMAL CUTOUT - ALLOW 30 SECONDS BEFORE REUSING
 CONTINUED OVERUSE OF BUTTON COULD CAUSE DAMAGE TO THE SHEET

DÉCOUPE THERMIQUE-LAISSER 30 SECONDES AVANT DE LA RÉUTILISER
 LA SURUTILISATION CONTINUE DU BOUTON POURRAIT ENDOMMAGER LA FEUILLE

THERMAL CUTOUT-ALLOW 30 SECONDS VOR REUSING
 KONTINUED OVERUSE VON BUTTON COULD CAUSE DAMAGE TO THE SHEET





MAINTENANCE



CHANGING THE MOTOR


RELEASING TARPAULIN | RELÂCHER LA BÂCHE | DIE FREIGABE DER PLANE

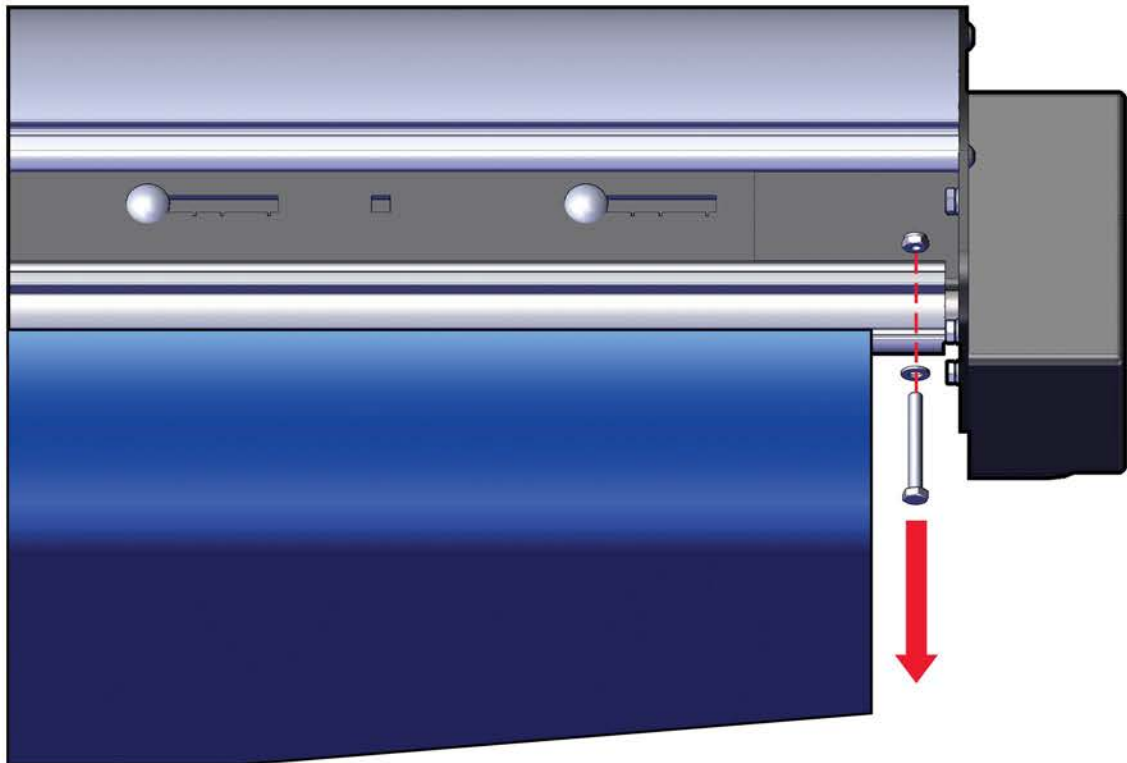


	<ul style="list-style-type: none">• SUPPORT WEIGHT DURING MAINTENANCE• SUPPORTE LA CHARGE LORS DE LA MAINTENANCE• WÄHREND WARTUNG DAS GEWICHT UNTERSTÜTZEN
---	--

1

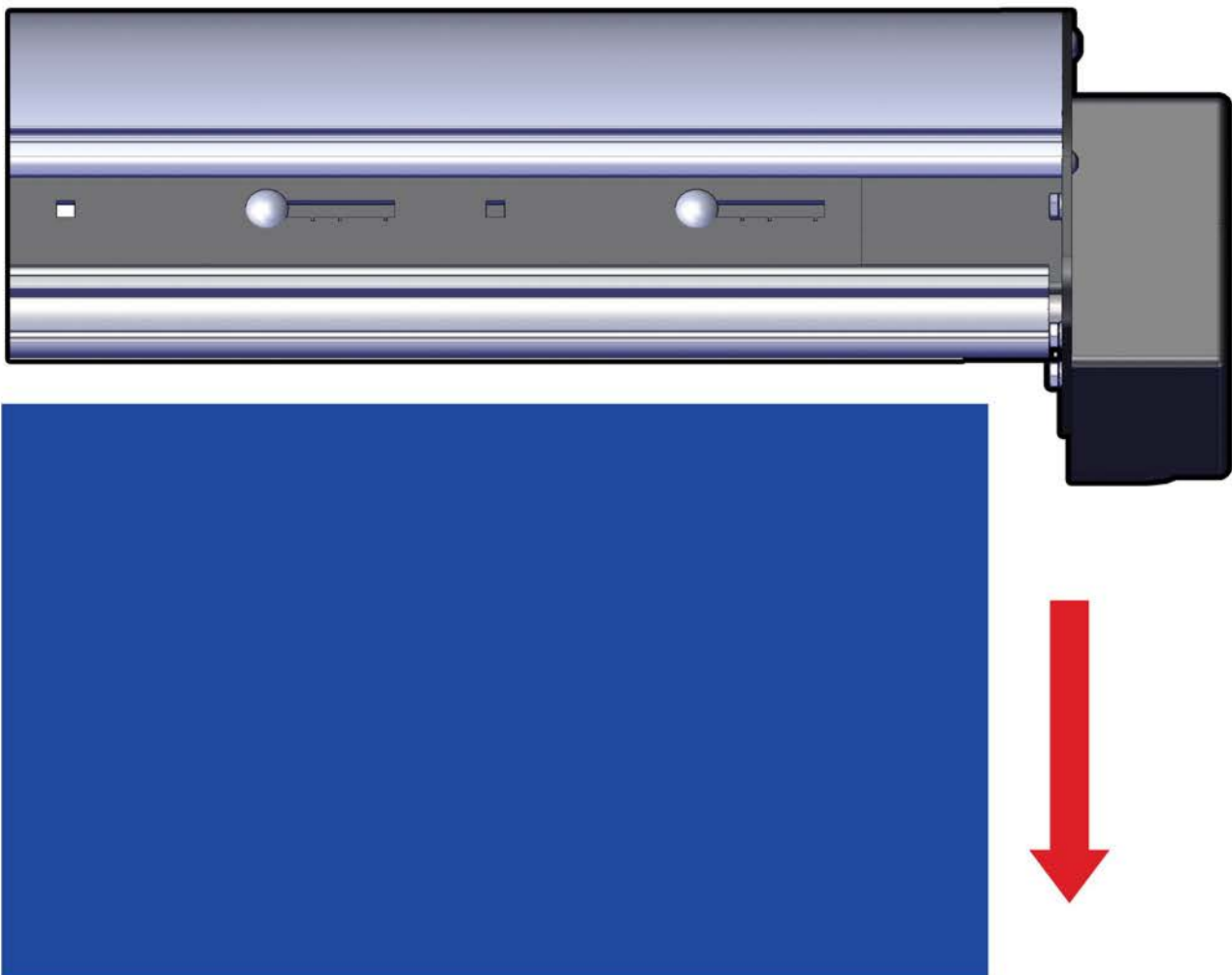


	<p>FULLY UNWIND ENTIÈREMENT DÉROULÉ VÖLLIG ABGEROLLT</p>
---	--



CHANGING THE MOTOR

RELEASING TARPAULIN | RETIRER LA BÂCHE | ENTFERNEN DER PLANE



- SEE PAGE 41 FOR ASSISTANCE IN REMOVING SHEET
- VOIR PAGE 41 POUR OBTENIR DE L'AIDE DANS L'ÉLIMINATION DES FEUILLES
- SIEHE SEITE 41 FÜR HILFE IM ENTFERNEN VON BLATT

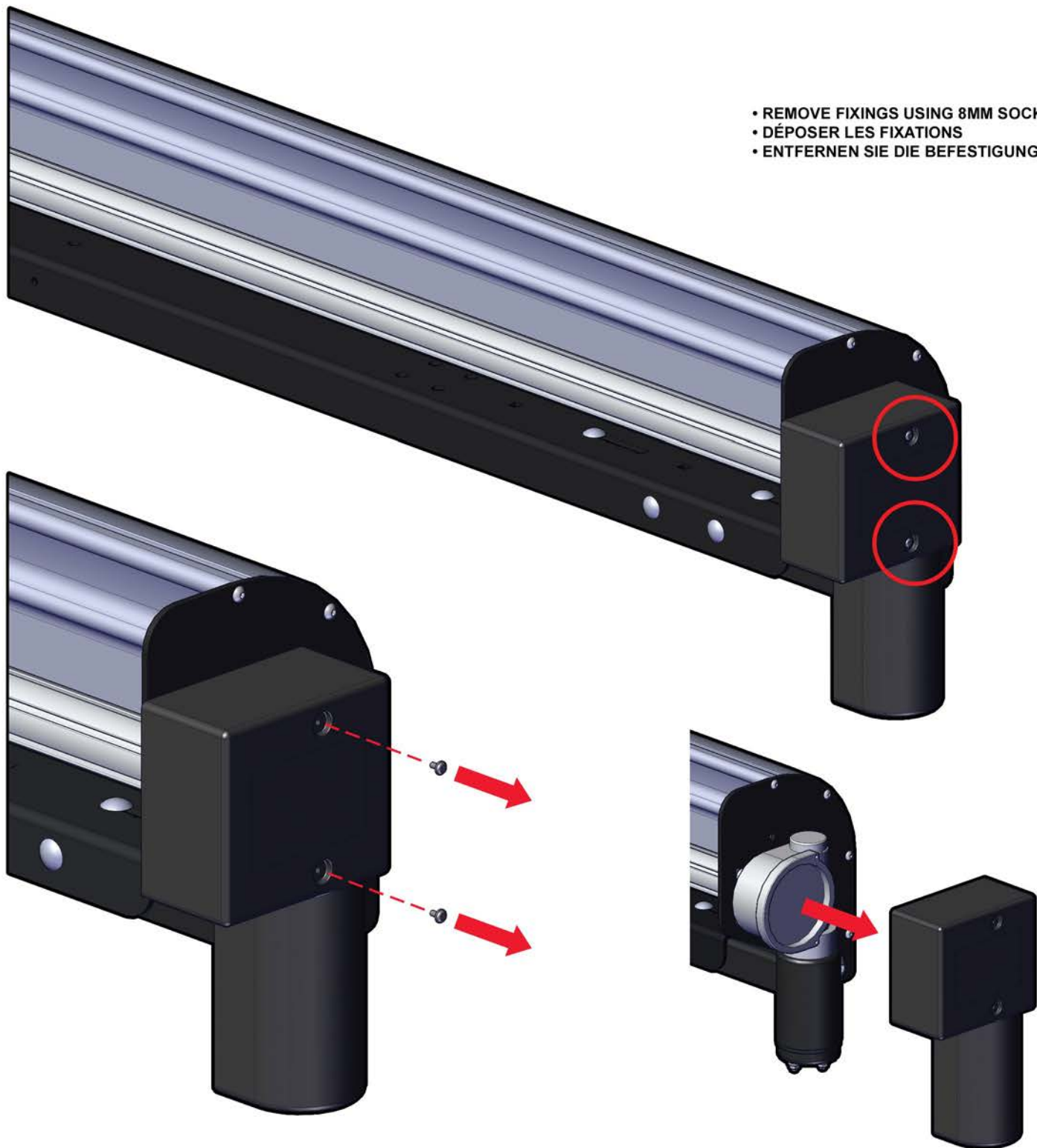
CHANGING THE MOTOR

REMOVE MOTOR COVER | DÉPOSER LE COUVERCLE DU MOTEUR | ENTFERNEN SIE DIE MOTORABDECKUNG



	<ul style="list-style-type: none">• SUPPORT WEIGHT DURING MAINTENANCE• SUPPORTE LA CHARGE LORS DE LA MAINTENANCE• WÄHREND WARTUNG DAS GEWICHT UNTERSTÜTZEN
--	--


- REMOVE FIXINGS USING 8MM SOCKET
- DÉPOSER LES FIXATIONS
- ENTFERNEN SIE DIE BEFESTIGUNGEN

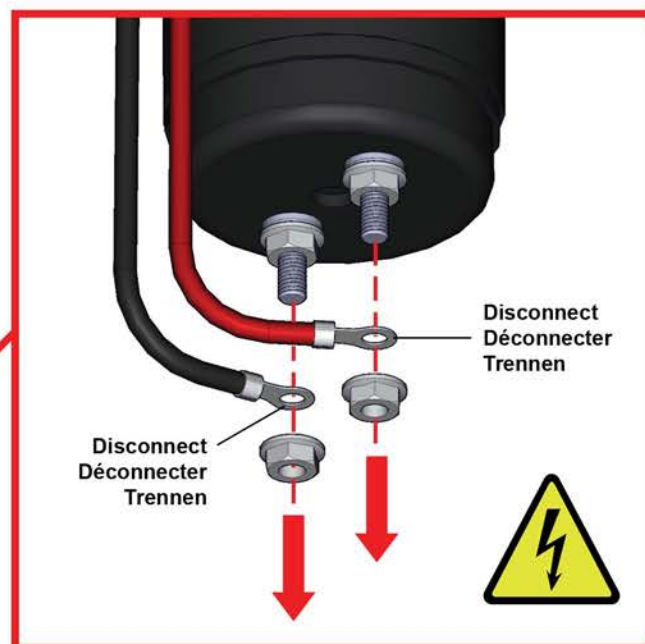
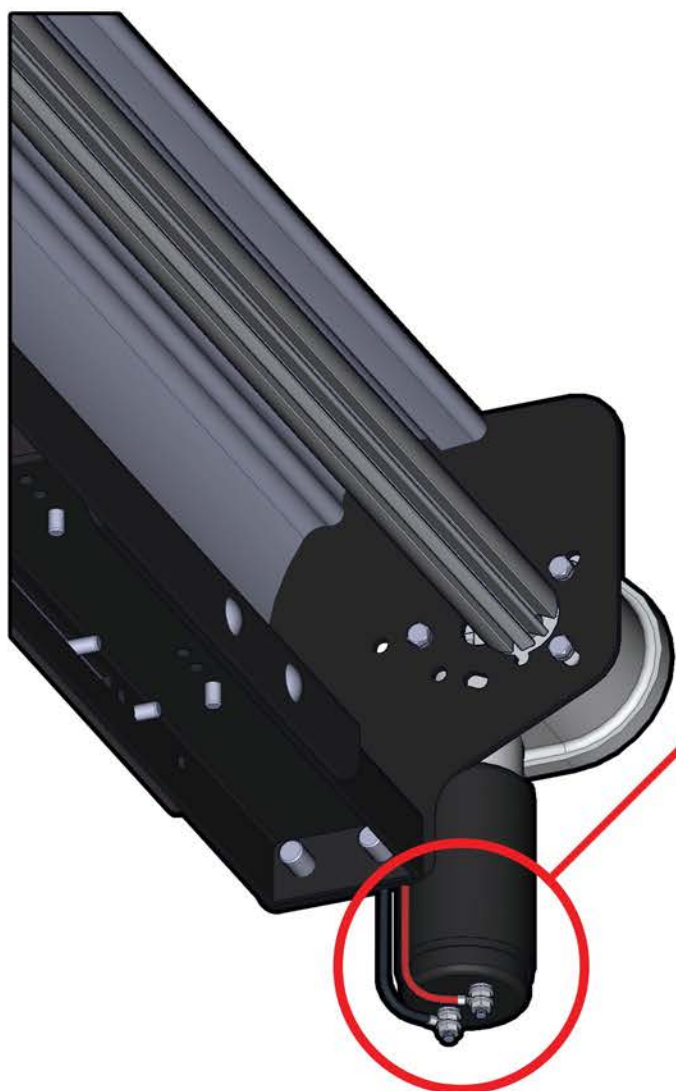


CHANGING THE MOTOR

DISCONNECT MOTOR | DÉBRANCHER LE MOTEUR | MOTOR ABZIEHEN



	<ul style="list-style-type: none">• SUPPORT WEIGHT DURING MAINTENANCE• SUPPORTE LA CHARGE LORS DE LA MAINTENANCE• WÄHREND WARTUNG DAS GEWICHT UNTERSTÜTZEN
---	--

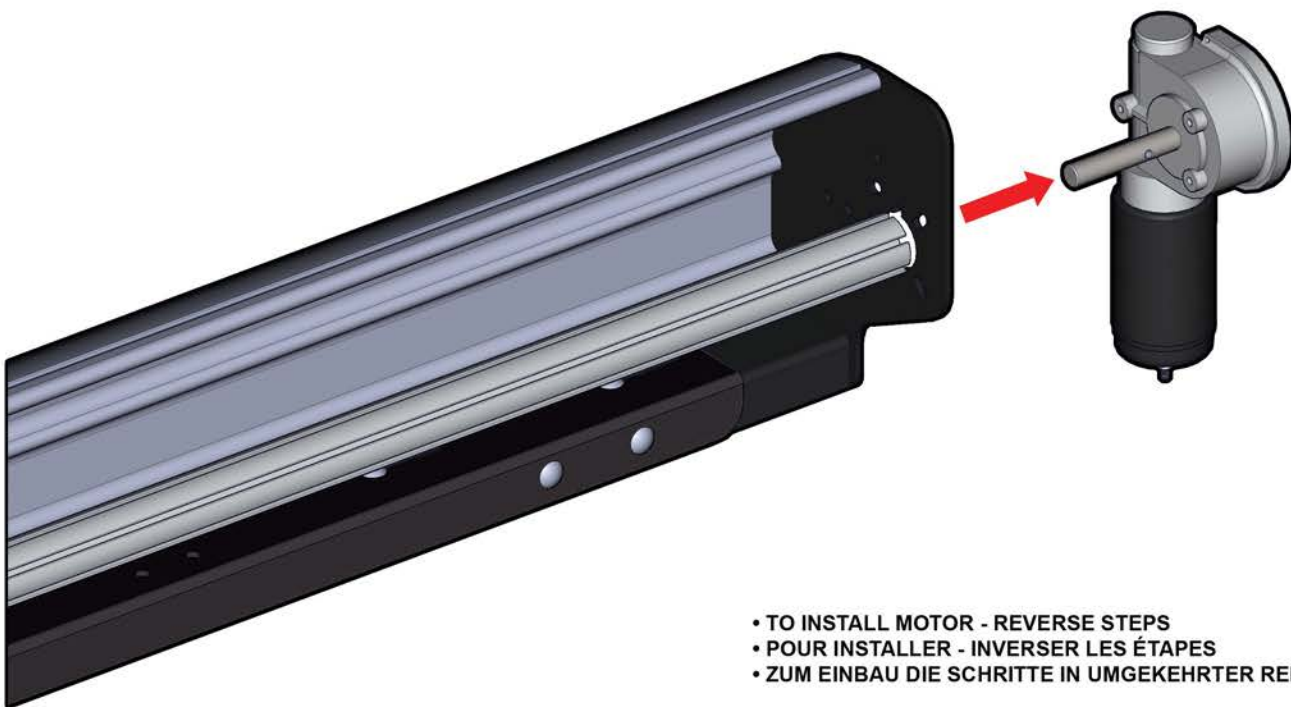


CHANGING THE MOTOR

REMOVE MOTOR | RETIRER LE MOTEUR | MOTOR ENTFERNEN



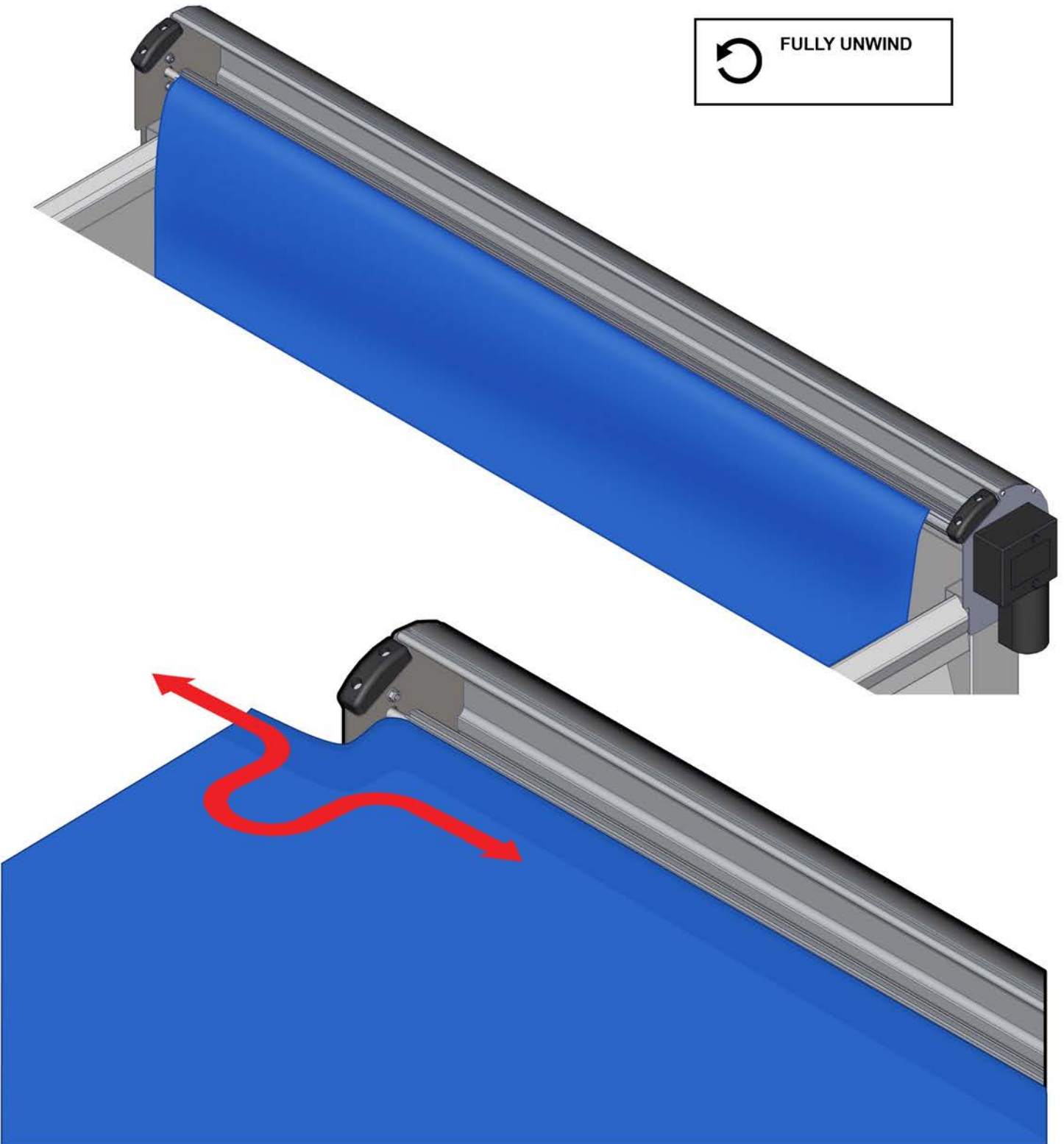
	<ul style="list-style-type: none">• SUPPORT WEIGHT DURING MAINTENANCE• SUPPORTE LA CHARGE LORS DE LA MAINTENANCE• WÄHREND WARTUNG DAS GEWICHT UNTERSTÜTZEN
---	--



- TO INSTALL MOTOR - REVERSE STEPS
- POUR INSTALLER - INVERSER LES ÉTAPES
- ZUM EINBAU DIE SCHRITTE IN UMGEKEHRTER REIHENFOLGE

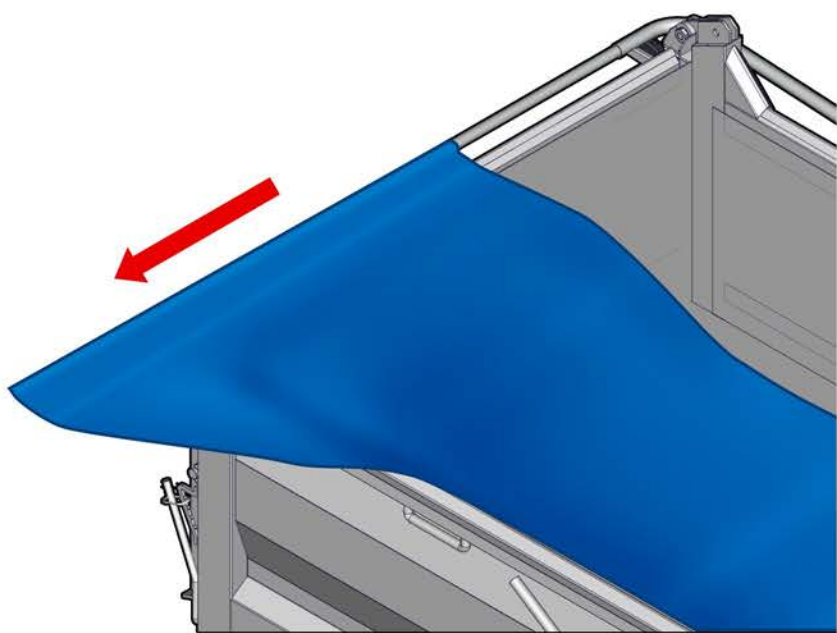
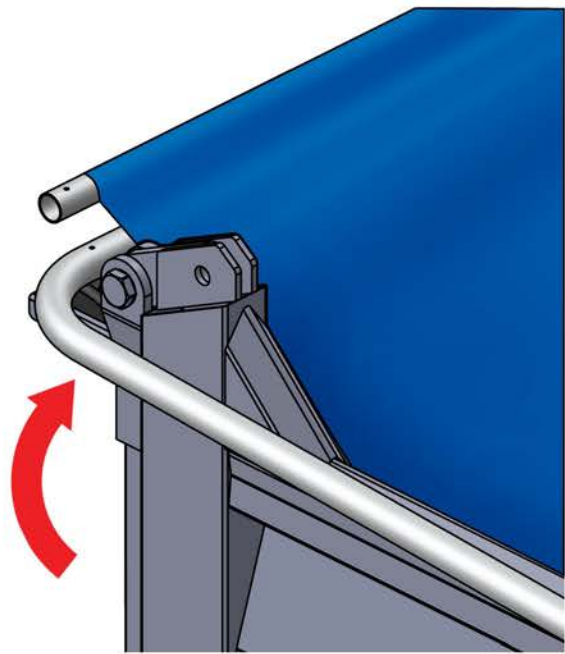
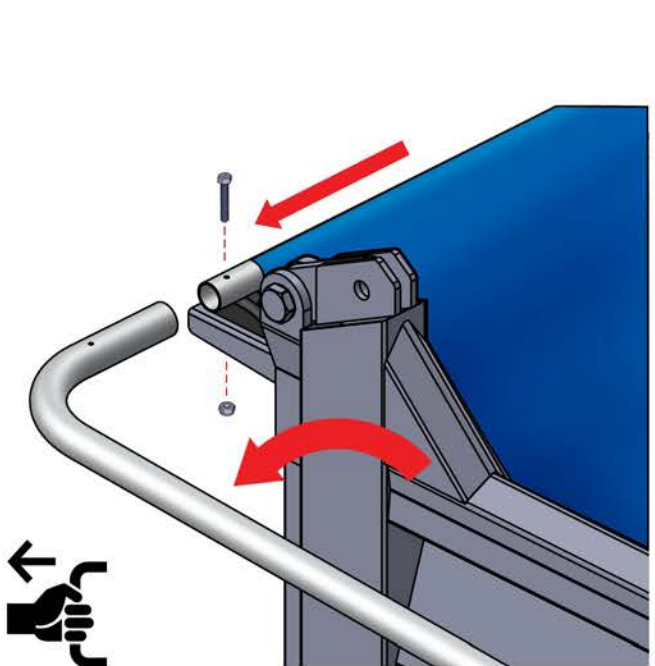
CHANGING THE TARPAULIN

REMOVING TARPAULIN (ELECTRIC) | RETIRER LA BÂCHE (BOUILLOIRE) | ENTFERNEN DER PLANE (ELEKTRISCHE)

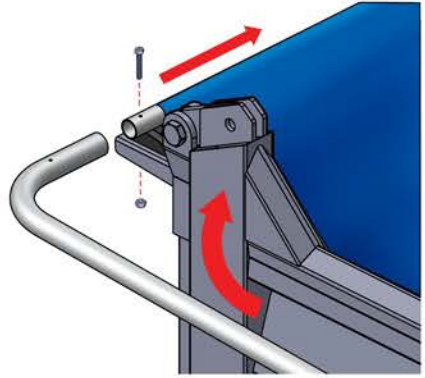


CHANGING TARPAULIN

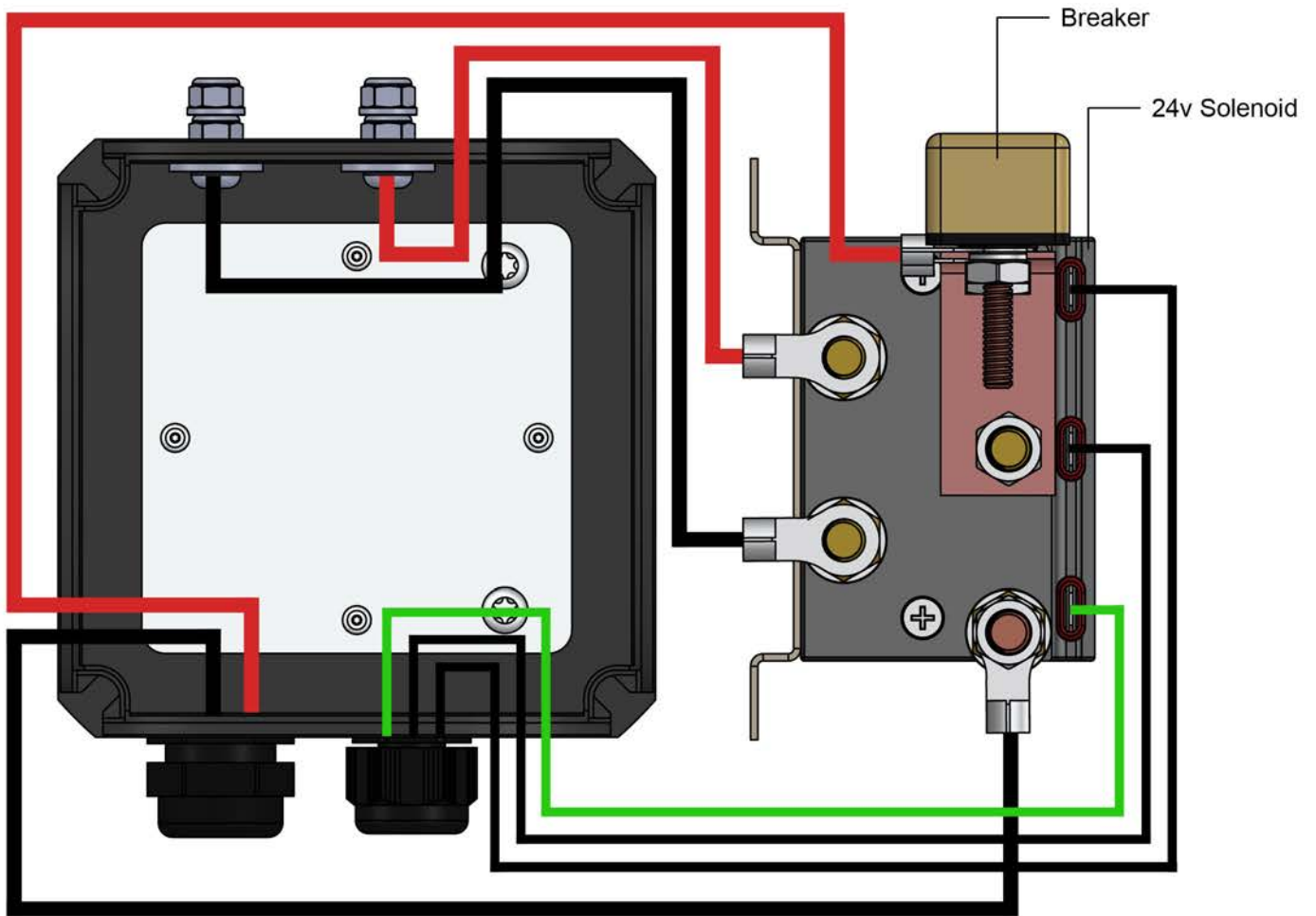
TRANSLATED PAGE TITLE 8PT



- REPEAT IN REVERSE TO REPLACE SHEET
- RÉPÉTER EN SENS INVERSE POUR REMPLACER LA BÂCHE
- WIEDERHOLEN SIE DEN VORGANG IN UMGEKEHRTER REIHENFOLGE, UM DIE PLANE ZU ERSETZEN



RELAY BOX - SOLENOID / BREAKER CHANGE



Fault finding

- No power to motor
 - Check that all terminals are connected / not corroded
 - Check Fuse
 - Check for any breaks in cable
 - Press reset button
 - Solenoid may have seized

- Sheet not winding in
 - No power / electrical fault - refer to electricians
 - Motor bolt may have snapped
 - Sheet torn
 - Press reset button

- Sheet not winding out
 - No power / electrical fault - refer to electricians
 - Spring broken
 - Debris in sheet housing
 - More tension required

DAILY / MONTHLY CHECKS

Daily Visual

(Where Applicable)

- Pull Rope Condition
- Pneumatic Hoses & Fittings
- Electrical Wiring & Connectors
- Hydraulic Cylinders & Hoses
- Tarpulin Condition
- Structural & Stability Of Mechanism

Monthly Service

(Where Applicable)

- Weld Checks
- Timed Lowering Function
- Hand Brake Lowering Function
- Pulley Cable Condition
- Bolts & Fixings
- Ratchet & Pawl Mechanism
- Rollerbar Tension
- Grease Points Lubricated
- Operating Hydraulic Oil



www.transcover.com